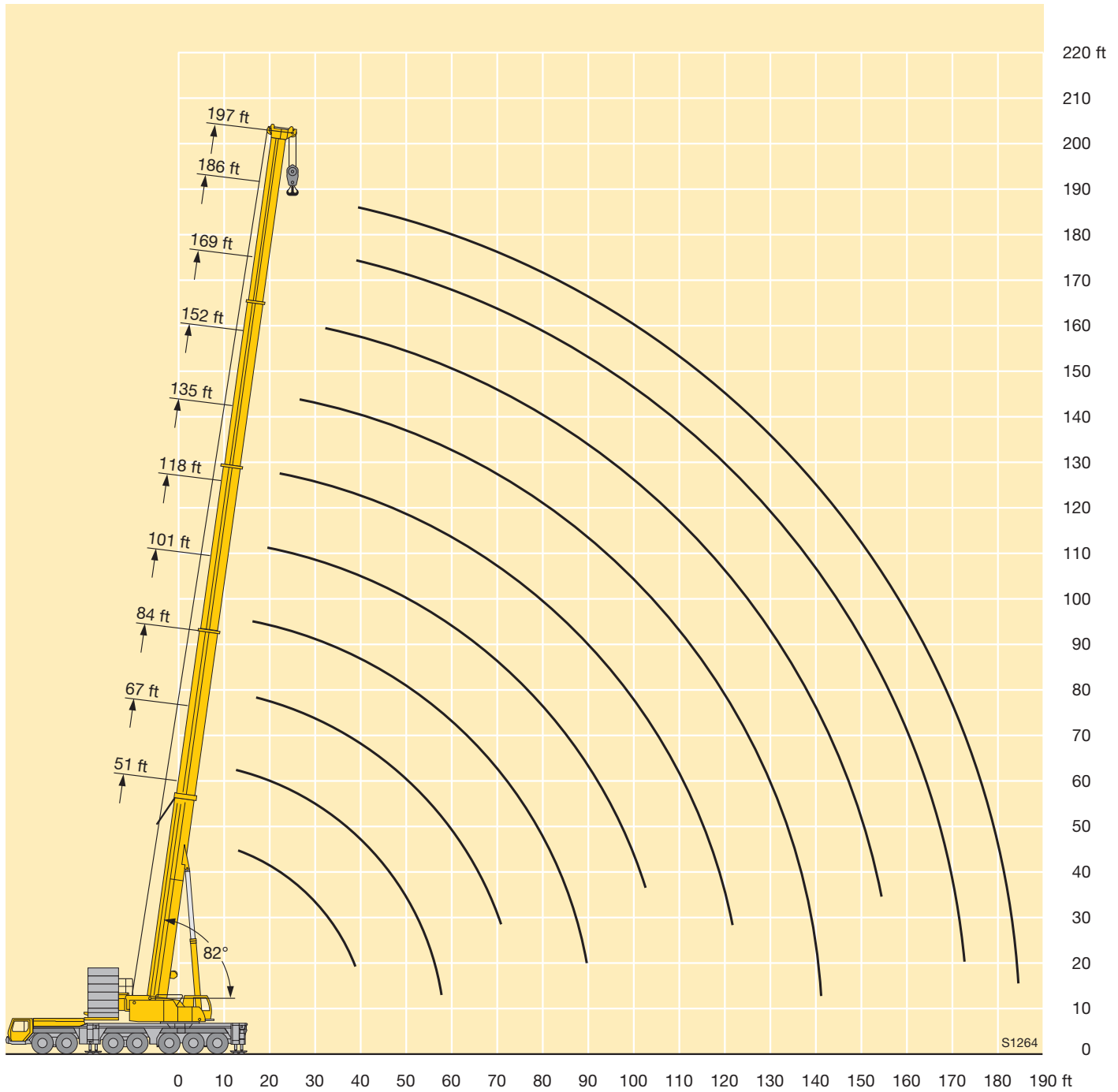


Lifting heights
Hauteurs de levage

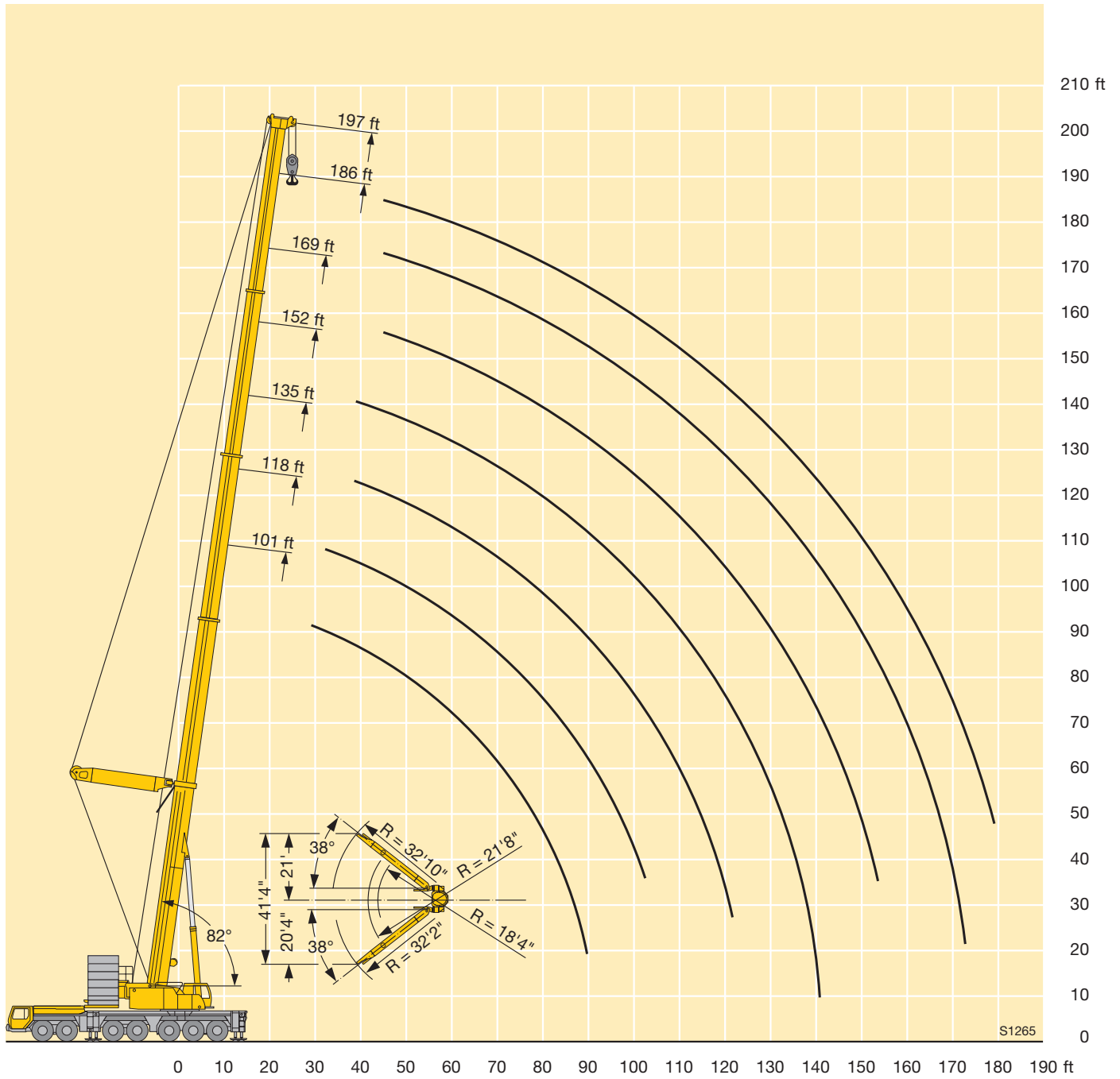


Lifting capacities on guyed telescopic boom Forces de levage à la flèche télescopique haubanée

ft	101 ft		118 ft		135 ft		152 ft		169 ft		186 ft		197 ft		ft
	*	*	*	*	*	*	*	*	*	*	*	*	*		
16	416													16	
17	413													17	
18	408		361											18	
20	396		360											20	
22	377		351		320									22	
24	357		339		313									24	
26	337		324		301									26	
28	319		312		290		252							28	
30	301	261	299		280		250							30	
32	285	284	285	251	270		242		211					32	
34	270	286	272	251	260		234		207					34	
36	257	273	259	251	250		227		201					36	
38	244	261	246	251	240		220	215	195		166		152	38	
40	231	249	234	248	230	213	213	190	190		164		151	40	
45	205	223	209	224	207	216	195	195	178	176	154	153	142	141	45
50	184	200	188	203	188	200	181	181	167	167	146	146	135	135	50
55	166	180	169	184	170	182	167	169	157	157	137	137	128	128	55
60	152	163	153	167	154	166	153	158	146	147	130	130	121	121	60
65	139	148	139	152	140	153	140	148	135	137	123	123	115	115	65
70	127	138	127	140	128	141	128	138	126	128	116	116	109	109	70
75	116	128	117	129	118	130	118	129	117	120	110	110	104	104	75
80	106	118	107	118	108	119	108	119	108	114	104	104	98.5	98.5	80
85	98	108	99	109	100	110	100	110	99.5	108	98	98.5	93.5	93.5	85
90	90.5	99	91.5	102	92.5	103	92.5	103	92	102	91	94	89	89	90
95			85	94.5	86	95.5	86	95.5	85.5	95	84.5	89.5	84	85	95
100			79	88	80	89	80	89	79.5	88.5	78.5	85.5	78.5	81.5	100
105					74.5	83	74.5	83	74	82.5	72.5	81.5	73	78	105
110					69.5	78	69.5	78	69	77.5	68	76	68	74.5	110
115					65	73	65	73	64.5	72.5	63.5	71.5	63.5	71	115
120					61	68.5	61	68.5	60	68	59.1	67	59.4	67	120
125							56.9	64.5	56.4	64	55.3	62.5	55.5	63	125
130							53.4	60.5	52.9	60	51.8	58.9	52.1	59.1	130
135							50.2	57.1	49.7	56.6	48.6	55.4	48.8	55.6	135
140							43.9	48.3	46.7	53.3	45.6	52.2	45.8	52.4	140
145									44	50.3	42.8	49.1	43	49.4	145
150									41.4	47.6	40.2	46.3	40.4	46.6	150
155									39.1	44.6	37.8	43.7	38	44	155
160											35.5	41.3	35.8	41.5	160
165											33.4	39	33.6	39.2	165
170											31.4	36.8	31.6	37.1	170
175											26.5	28.3	29.7	35.1	175
180													28	33.2	180

* ballast retracted / contrepoids rétracté

Lifting heights
Hauteurs de levage



Lifting capacities on the lattice fly jib Forces de levage à la fléchette treillis fixe

51 ft

23 - 184 ft

360°

264600 lbs

85%

ft	51 ft + 8 ft*																								ft	
	23 ft			46 ft			69 ft			92 ft			115 ft			138 ft			161 ft			184 ft				
	0°	20°	40°	0°	20°	40°	0°	20°	40°	0°	20°	40°	0°	20°	40°	0°	20°	40°	0°	20°	40°	0°	20°	40°		0°
26	73																									26
28	69.5																									28
30	65.5			63.5																						30
32	62	50.6		60.5			54.1			43.4			34.5			28.2										32
34	58.6	49.7		58.2			53.1			42.9			34.1			27.9										34
36	55.7	48.2		55.7			51.5			42			33.5			27.3										36
38	52.8	46.7		53.2			49.8			41.1			32.9			26.8			21						16.6	38
40	50.2	45.3		50.8			48.2			40.2			32.2			26.3			20.9						16.5	40
45	44.3	42.5	37.1	45.6	41.2		44.3			37.8			30.4			25.1			19.9						15.6	45
50	39.3	39.9	36.6	41.3	39		40.5			35.7			28.6			23.8			18.9						14.9	50
55	35.2	37	35.7	37.3	36.7		36.9	39		33.7			27			22.5			18						14.2	55
60	31.9	33.5	34.6	33.7	34.7	30	33.8	37.1		31.6	28.9		25.5			21.2			17.2						13.4	60
65	28.9	30.2	33.8	30.3	33	29.1	31	34.5	30.6	29.4	27.6		24.2	21.9		20.1			16.2						12.7	65
70	25.7	26.7		27.7	30.4	28.6	28.4	32	29.6	27.4	26.5		23	20.9		19			15.3						12.1	70
75				25.5	27.8	27.8	26	29.6	28.5	25.4	25.4		21.9	19.9		18			14.5						11.4	75
80				23.5	25.3	26.5	23.8	27.3	27.7	23.5	24.4	21.5	20.8	19		17.1	15.2		13.7						10.8	80
85				21.7	23	23.9	21.8	24.9	27	21.7	23.4	20.8	19.9	18.2		16.2	14.4		13						10.2	85
90				20	20.9	23.7	20.3	22.8	25.4	20	22.5	20.2	18.8	17.4		15.5	13.8		12.3	10.8					9.7	90
95							18.9	20.9	23.3	18.3	21.3	19.6	17.6	16.7	14.7	14.8	13.2		11.7	10.5					9.2	95
100							17.6	19.2	21	16.8	20	19.2	16.3	16	14.6	14.1	12.6		11.2	10					8.8	100
105							16.3	17.7	18.9	15.6	18.5	18.9	15	15.4	14	13.5	12.1		10.7	9.5					8.3	105
110							15.1	16.3	18.2	14.7	17	18.5	13.9	15	13.6	12.9	11.6		10.3	9.1					7.9	110
115							13.9	14.8		13.8	15.7	17.6	13	14.5	13.3	12.4	11.1	10	9.8	8.8					7.5	115
120										13	14.5	16.3	12.2	14.1	12.9	11.8	10.7	9.8	9.4	8.4					7.2	120
125										12.1	13.4	14.9	11.5	13.5	12.6	11	10.4	9.5	9	8					6.8	125
130										11.3	12.4	13.4	10.8	12.5	12.5	10.2	10.1	9.3	8.6	7.7					6.5	130
135										10.5	11.3		10.1	11.6	12.4	9.6	9.8	9.1	8.3	7.4	6.6				6.1	135
140													9.5	10.8	12	9	9.6	8.9	7.9	7.2	6.5				5.8	140
145													8.9	10.1	11.4	8.5	9.3	8.7	7.6	7	6.3				5.5	145
150													8.3	9.3	10.4	8	9.1	8.6	7.2	6.7	6.1				5.2	150
155													7.7	8.6	10	7.5	8.8	8.5	6.7	6.5	5.9				4.9	155
160													7.1	7.8		7	8.3	8.4	6.1	6.3	5.8				4.7	160
165																6.5	7.6	8.3	5.6	6.1	5.7				4.3	165
170																6.1	7	8.2	5.2	5.9	5.6				3.9	170
175																5.6	6.4	7.4	4.7	5.8	5.5				3.5	175
180																5.2	5.8		4.2	5.6	5.4				3	180
185																			3.8	5.3	5.3				2.6	185
190																			3.3	4.7	5.3				2.4	190
195																			2.9	4.1	5.1				2.4	195
200																			2.6	3.5	5				2.4	200
205																			2.4	2.9					2.4	205
210																									2.4	210
215																									2.4	215
220																									2.4	220
225																									2.4	225

* adapter / pièce d'adaptateur

Lifting capacities on the lattice fly jib Forces de levage à la fléchette treillis fixe

186 – 197 ft

23 – 184 ft

360°

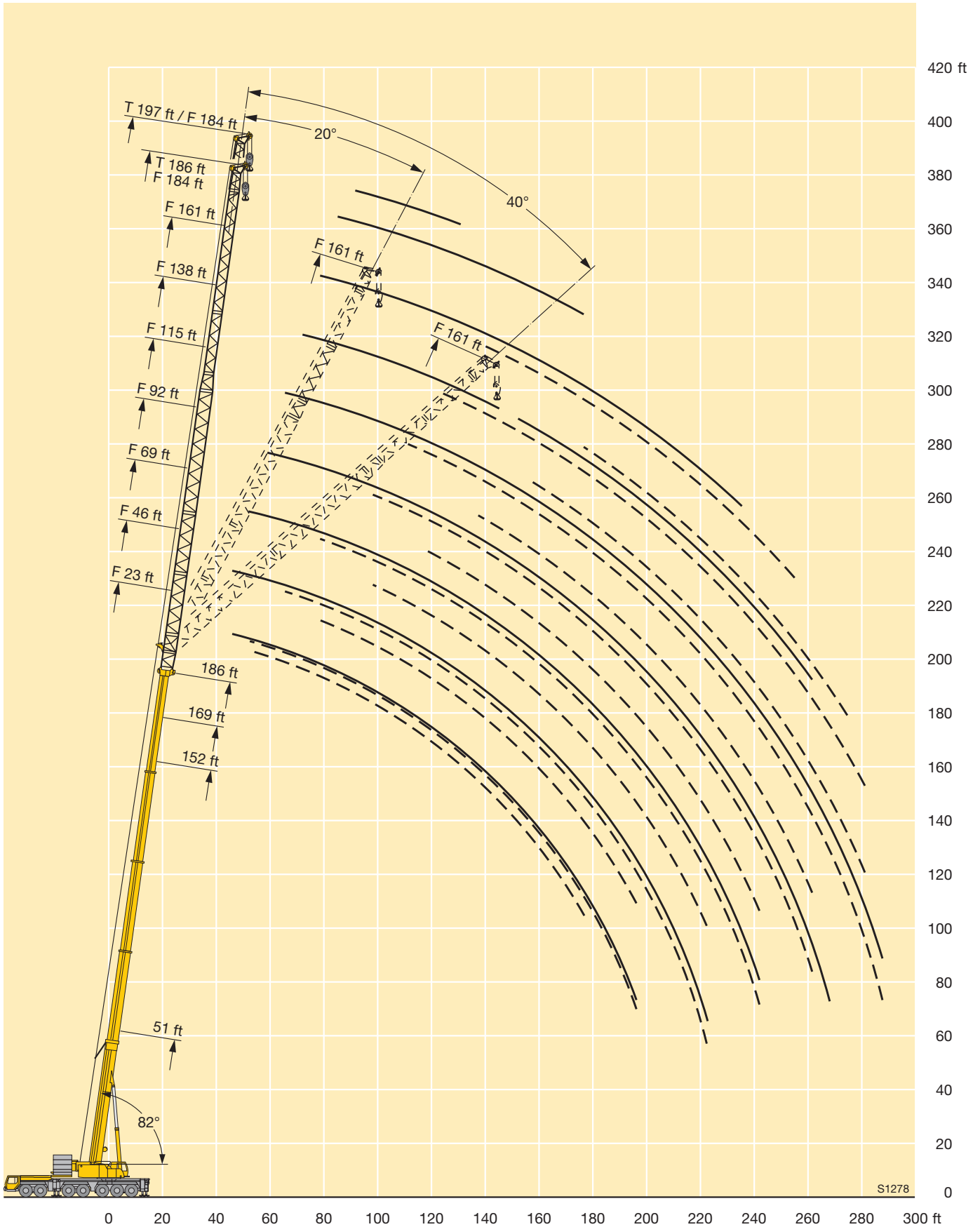
264600 lbs

85%

ft	186 ft + 8 ft*																								ft
	23 ft			46 ft			69 ft			92 ft			115 ft			138 ft			161 ft			184 ft	184 ft		
	0°	20°	40°	0°	20°	40°	0°	20°	40°	0°	20°	40°	0°	20°	40°	0°	20°	40°	0°	20°	40°	0°	0°		
45	71			56.2																					45
50	69	58.7	42.9	55																					50
55	66	57.6	42.5	53.4																					55
60	62.5	55.5	41.6	51.7																					60
65	59.6	53.5	40.9	49.7	44.3																				65
70	56.9	51.8	40.2	47.6	43.1																				70
75	54.3	50.3	39.6	45.7	41.8	31.8																			75
80	51.6	48.9	39.1	43.9	40.5	31.6	36.5	33.1																	80
85	49.1	47.5	38.6	42.2	39.4	31.1	35.1	32																	85
90	46.7	45.8	38.1	40.5	38.3	30.7	33.8	31																	90
95	44.3	43.8	37.6	38.8	37	30.3	32.5	29.9	26.2	27	23.3														95
100	42	41.8	37.2	37.1	35.7	29.9	31.3	29	26	26	23.1														100
105	39.9	40	36.7	35.5	34.3	29.6	30.1	28.1	25.2	25	22.3														105
110	37.9	38.3	36.6	34	33.1	29.3	29	27.2	24.6	24.1	21.6														110
115	35.9	36.4	36.1	32.5	31.9	28.9	28	26.4	24	23.2	20.9	18.5	19.3	16.8											115
120	34.1	34.6	35	31.1	30.7	28.6	26.9	25.5	23.3	22.3	20.3	18.3	18.6	16.4											120
125	32.3	32.9	33.2	29.6	29.4	28.3	26	24.6	22.8	21.5	19.6	17.8	17.9	15.8											125
130	30.5	31.2	31.5	28.1	28.2	28.2	25	23.8	22.2	20.7	19	17.3	17.2	15.3											130
135	28.9	29.6	29.9	26.7	27.1	27.3	24	23	21.7	19.9	18.4	16.9	16.6	14.8	13.1	13.8	11.4								135
140	27.4	28	28.4	25.4	26	26.2	22.9	22.3	21.2	19.2	17.9	16.5	16	14.3	12.9	13.2	11.1								140
145	26.2	26.5	26.9	24.1	24.8	25.2	21.8	21.5	20.7	18.5	17.3	16	15.4	13.8	12.6	12.7	10.9								145
150	25	25.4	25.6	22.8	23.6	24.2	20.7	20.8	20.3	17.8	16.8	15.6	14.9	13.4	12.3	12.3	10.7								150
155	23.8	24.3	24.4	21.6	22.4	23	19.7	20.2	19.8	17.2	16.4	15.2	14.4	13	12	11.9	10.5	8.9							155
160	22.7	23.1	23.1	20.6	21.2	21.8	18.7	19.5	19.3	16.5	15.9	14.9	13.9	12.6	11.7	11.5	10.3	8.9	9.2						160
165	21.5	21.9	21.9	19.7	20.1	20.7	17.7	18.7	18.7	15.9	15.4	14.5	13.4	12.2	11.4	11.1	10	8.8	8.8	7.4					165
170	20.4	20.8	20.7	18.9	19.1	19.7	16.7	17.9	18.1	15.1	14.9	14.2	12.9	11.9	11.1	10.7	9.7	8.7	8.4	7.2					170
175	19.3	19.7	19.5	18.1	18.2	18.8	16	16.9	17.4	14.3	14.4	13.9	12.4	11.6	10.8	10.3	9.4	8.6	8.1	7	5.8				175
180	18.3	18.7		17.3	17.2	17.8	15.4	16	16.7	13.5	13.9	13.6	12	11.3	10.6	10	9.1	8.4	7.7	6.9	5.8	5.3			180
185	17.3	17.7		16.5	16.4	16.9	14.7	15.2	16.1	12.8	13.5	13.3	11.5	11	10.4	9.6	8.9	8.2	7.4	6.7	5.7	5			185
190	16.3	16.7		15.7	15.6	16	14.1	14.6	15.5	12	13	13.1	11.1	10.8	10.2	9.3	8.7	8	7.1	6.6	5.6	4.7			190
195	15.3	15.7		15	14.7	15	13.5	13.9	14.7	11.5	12.5	12.7	10.7	10.5	10	9	8.4	7.8	6.8	6.4	5.5				195
200				14.2	13.9		12.9	13.3	14	11.1	12.1	12.3	10.2	10.2	9.8	8.7	8.2	7.6	6.5	6.2	5.5				200
205				13.4	13.2		12.4	12.7	13.3	10.6	11.7	12	9.7	9.9	9.6	8.3	7.9	7.5	6.2	5.9	5.4				205
210				12.7	12.5		11.8	12.1	12.6	10.2	11.1	11.6	9.2	9.5	9.4	8	7.7	7.3	5.9	5.7	5.3				210
215				12	11.8		11.2	11.6	11.9	9.7	10.6	11.2	8.8	9.2	9.2	7.6	7.5	7.1	5.6	5.5	5.3				215
220				11.3	11.1		10.6	11	11.3	9.3	10.1	10.7	8.4	9	9	7.2	7.3	7	5.3	5.3	5.1				220
225							10	10.4		8.9	9.7	10.1	8	8.7	8.9	6.8	7.1	6.8	5	5.1	5				225
230							9.5	9.8		8.5	9.2	9.6	7.6	8.4	8.7	6.3	6.9	6.7	4.8	4.9	4.8				230
235							8.9	9.2		8.1	8.7	9	7.3	8	8.5	5.9	6.6	6.5	4.5	4.7	4.6				235
240							8.4	8.6		7.6	8.3	8.5	6.8	7.6	8.1	5.5	6.4	6.4	4.1	4.5	4.5				240
245										7.2	7.8		6.4	7.2	7.7	5.1	6.2	6.2							245
250										6.8	7.3		6	6.8	7.2	4.8	6	6.2							250
255										6.4	6.8		5.6	6.4	6.7	4.4	5.6	6.1							255
260										5.9	6.4		5.1	5.9	6.2	4	5.1	5.9							260
265										5.5			4.7	5.4		3.6	4.7	5.5							265
270													4.2	5			4.3	5							270
275													3.8	4.5			3.9	4.5							275
280													3.4	4			3.5	3.9							280
285													3	3.5											285

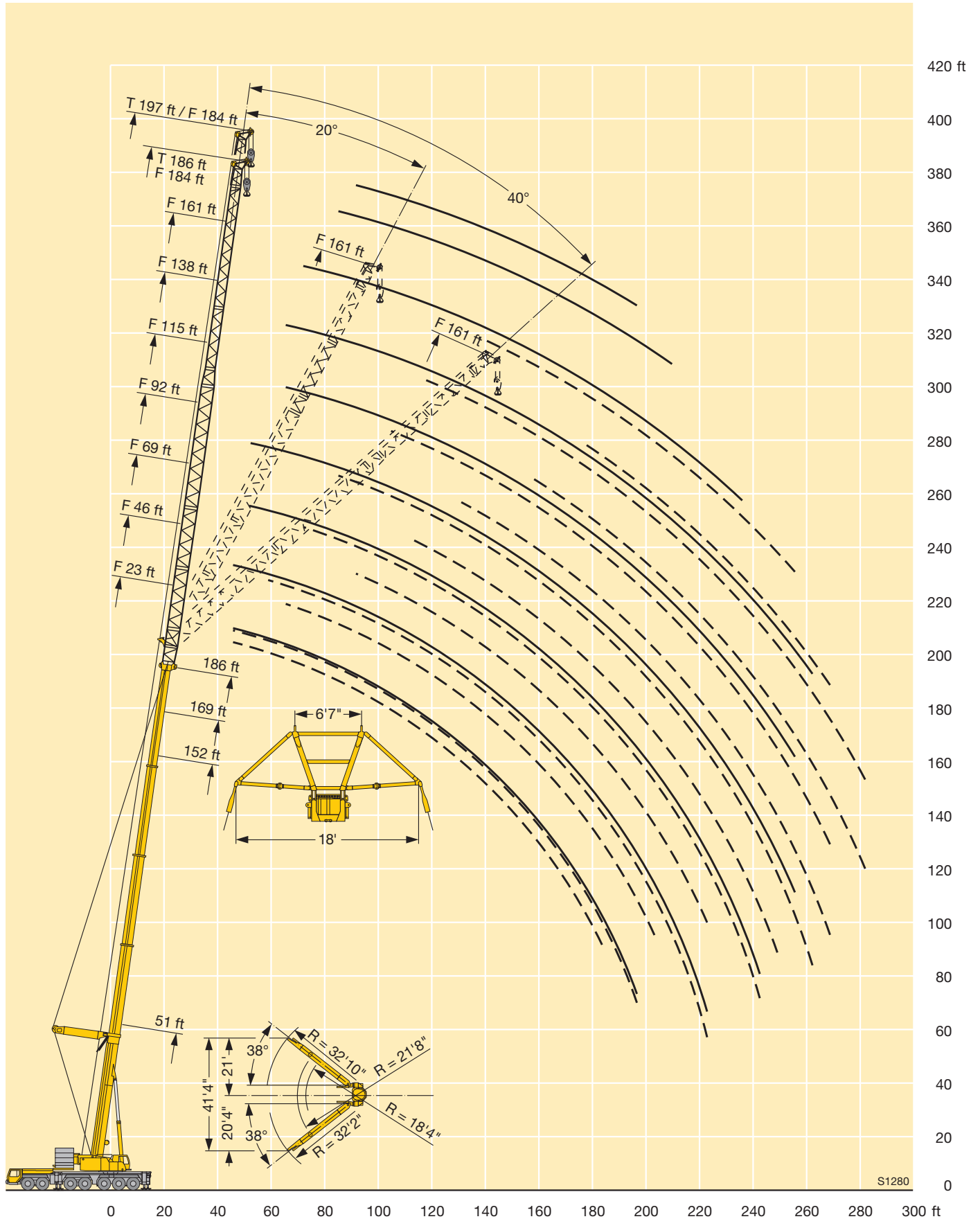
* adapter / pièce d'adaptateur

Hubhöhen
Lifting heights



S1278

Lifting heights
Hauteurs de levage



S1280

Lifting capacities on the luffing lattice jib
Forces de levage à la fléchette treillis relevable



ft	51 ft + 13 ft*											84 ft + 13 ft*											ft		
	46	69	92	115	138	161	184	207	230	253	276	46	69	92	115	138	161	184	207	230	253	276			
22	262																						22		
24	262																							24	
26	262																							26	
28	262																							28	
30	262											214												30	
32	262	220										214												32	
34	260	219										214												34	
36	256	217										214												36	
38	253	215	170									214	157											38	
40	247	212	169									214	157											40	
45	223	204	166	133								212	157	127										45	
50		195	163	132								194	157	127										50	
55		181	160	130	106								157	127	103									55	
60		165	157	128	104	87							156	127	102	83								60	
65		151	150	126	103	86							145	127	102	82.5	68							65	
70		139	139	125	102	85	69						134	126	101	82	68							70	
75			129	122	100	84	68.5	57.7						121	101	81.5	67.5	55.3						75	
80			120	118	99.5	83	68	57.5						113	101	81.5	67	55.2						80	
85			112	110	98.5	82	67	56.9	46.8					106	101	81	67	54.9	45.9					85	
90			104	103	98	81	66.5	56.3	46.3	39.1				100	96	80.5	66.5	54.6	45.6	37.3				90	
95				97	95	80.5	66	55.8	45.9	38.7	31.4				94	80.5	66.5	54.3	45.4	37.1	31			95	
100				91.5	90	80	65.5	55.3	45.4	37.9	31.3				86	80	66	54	45.1	36.8	30.9	24.7		100	
105				86	85	79.5	64.5	54.8	45	37.1	30.9				82	79	66	53.8	44.9	36.6	30.7	24.7		105	
110				81.5	80.5	78.5	64	54.4	44.5	36.4	30.5				77.5	75	66	53.6	44.7	36.4	30.6	24.5		110	
115				71	76	75.5	64	53.9	44.1	35.6	30.1				73.5	71.5	66	53.4	44.5	36.2	30.4	24.3		115	
120					72.5	71.5	63.5	53.4	43.8	34.9	29.6					68.5	65	53.3	44.3	36	30.2	24.1		120	
125					68.5	68	63	52.9	43.4	34.2	29.1					65.5	63	53.3	44.2	35.9	30	24		125	
130					65.5	65	62	52.1	43.1	33.6	28.6					62.5	60	53.2	44.1	35.7	29.8	23.8		130	
135					60.5	62	60	51.3	42.8	32.9	28.1					59.5	57.8	52.9	44.1	35.5	29.5	23.6		135	
140						59	57.7	50.6	42.7	32.3	27.7					56.8	55.5	52.2	44.1	35.4	29.2	23.5		140	
145						56.4	55.1	49.8	42.6	31.7	27.2						53.3	51.2	44.1	35.3	28.8	23.3		145	
150						54	52.7	49.1	42.5	31.2	26.8						51	49.4	44.1	35.3	28.5	23.2		150	
155						51	50.5	48.4	42.3	30.6	26.4						48.9	47.6	44.1	35.3	28.1	23.1		155	
160						45.2	48.4	47.3	42	30.1	26						46.9	45.8	43.5	35.3	27.8	23		160	
165							46.4	45.8	41.6	29.6	25.6							44	42.3	35.3	27.5	22.8		165	
170							44.6	43.9	41.2	29.1	25.3							42.2	40.8	35.3	27.2	22.8		170	
175							42.7	42.2	40.4	28.6	25							40.6	39.4	35.3	26.9	22.8		175	
180							39.7	40.5	39.2	28.2	24.7							39	37.9	35.2	26.6	22.7		180	
185								39	37.7	27.8	24.4							37.5	36.5	34.6	26.3	22.5		185	
190									37.5	36.2	27.4	24.1						36.1	35.1	33.4	26	22.4		190	
195									36.1	34.8	27.1	23.8							33.8	32.3	25.7	22.2		195	
200									33.9	33.5	26.7	23.5							32.5	31.1	25.5	22.1		200	
205										32.3	26.5	23.2							31.3	29.9	25.2	21.9		205	
210										31.1	26.2	23								28.8	25	21.7		210	
215										29.9	26	22.7									27.7	24.8	21.6		215
220										28.2	25.8	22.5									26.7	24.7	21.4		220
225										25.7	25.6	22.3									25.7	24.4	21.3		225
230											25.4	22.1									24.8	23.8	21.2		230
235											24.9	22									23.9	22.9	21.1		235
240												23.5	21.8									22.1	20.9		240
245												21.7	21.6										21.3	20.4	245
250													21.1										20.5	19.6	250
255														20.3									19.8	18.8	255
260																								18.1	260
265																								17.4	265
270																								16.8	270
275																								16.1	275
280																								15.3	280

* adapter / pièce d'adaptateur

Lifting capacities on the luffing lattice jib Forces de levage à la fléchette treillis relevable

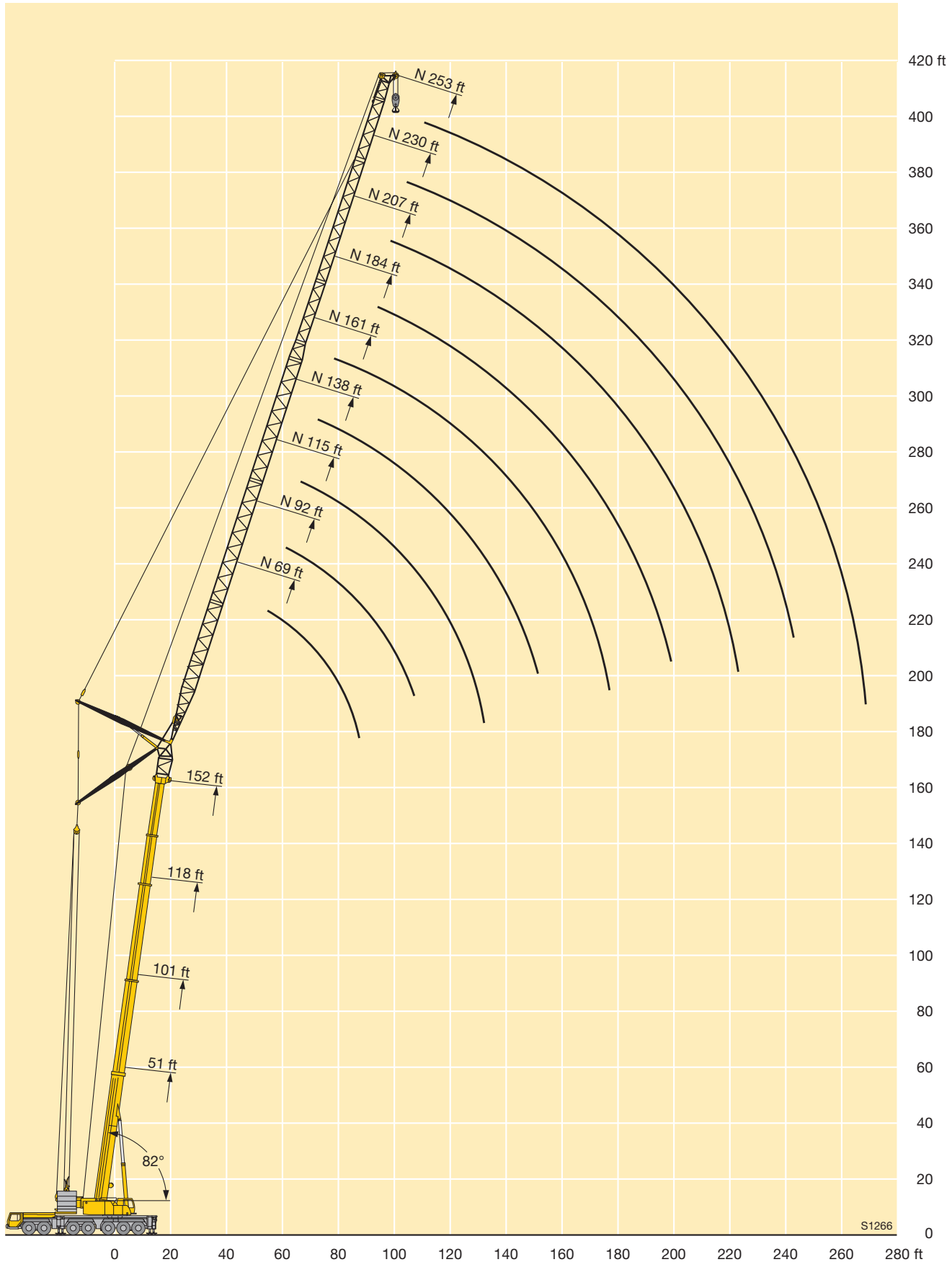
118 - 186 ft
 69 - 276 ft
 82°
 360°
 220500 lbs
 85%

ft	118 ft + 13 ft*										152 ft + 13 ft*										186 ft + 13 ft*						ft
	69	92	115	138	161	184	207	230	253	276	69	92	115	138	161	184	207	230	253	69	92	115	138	161	184		
45	106																								45		
50	106																								50		
55	106	86	69							66.5															55		
60	105	85.5	69							66.5	52.5														60		
65	103	85	69	56						66	52.5	42.2													65		
70	100	84.5	68.5	55.8	46.1					65	52.4	42.1	33.8												70		
75	98	83.5	68.5	55.6	46					64	52.2	41.9	33.7	27											75		
80		82	68	55.4	45.9					63	51.9	41.7	33.5	27											80		
85		80.5	68	55.2	45.7	37.2				62	51.4	41.6	33.4	26.9											85		
90		79	67.5	55	45.5	37	30.5				50.8	41.4	33.3	26.8	21.1										90		
95		78	66.5	54.9	45.3	36.9	30.4	24.5			50.2	41.2	33.2	26.7	21.1	15									95		
100		77	65.5	54.8	45.2	36.8	30.3	24.4	18.9		49.6	40.8	33.1	26.7	21.1	15	9.5								100		
105			64.5	54.8	45	36.6	30.2	24.3	18.9			40.5	32.9	26.6	21	15	9.5								105		
110			63.5	54.4	44.9	36.5	30.1	24.2	18.9	12.9		40.1	32.7	26.5	20.9	15	9.5	5.3							110		
115			63	53.8	44.8	36.4	30	24	18.9	12.9		39.8	32.5	26.4	20.9	15	9.5	5.3							115		
120			63	53.1	44.8	36.3	29.9	23.9	18.8	12.9		39.4	32.3	26.3	20.8	15	9.5	5.3							120		
125				52.4	44.7	36.2	29.8	23.8	18.7	12.9		39	32.1	26.2	20.7	15	9.5	5.3							125		
130				52	44.6	36.2	29.6	23.7	18.6	12.9		38.5	31.9	26.1	20.7	15	9.5	5.3							130		
135				51.7	44.1	36.1	29.6	23.6	18.5	12.8			31.7	25.9	20.6	15	9.5	5.3							135		
140				51.4	43.7	36.1	29.5	23.5	18.4	12.8			31.4	25.7	20.6	15	9.5	5.3							140		
145				50.8	43.2	36	29.5	23.4	18.3	12.8			31.1	25.6	20.5	15	9.5	5.3							145		
150				49	43.1	35.9	29.5	23.4	18.2	12.7			30.8	25.4	20.4	15	9.5	5.3							150		
155					43	35.7	29.5	23.4	18.2	12.7				25.3	20.3	15	9.5	5.3							155		
160					42.7	35.4	29.5	23.4	18.2	12.6				25.1	20.2	15	9.5	5.3							160		
165					42	35.1	29.5	23.4	18.2	12.6				25	20.1	15	9.5	5.3							165		
170					40.6	35.1	29.5	23.4	18.2	12.6				24.8	20.1	15	9.5	5.3							170		
175						35.1	29.5	23.4	18.2	12.6				24.7	20	15	9.5	5.3							175		
180						35	29.5	23.4	18.2	12.6					19.9	15	9.5	5.3							180		
185						34.5	29.4	23.4	18.2	12.6					19.8	15	9.5	5.3							185		
190						33.4	29.4	23.4	18.2	12.6					19.7	15	9.5	5.3							190		
195							29.4	23.4	18.2	12.6					19.6	15	9.5	5.3							195		
200							29.4	23.4	18.2	12.6						15	9.5	5.3							200		
205							29.1	23.4	18.2	12.6						15	9.5	5.3							205		
210							28.2	23.4	18.2	12.6						15	9.5	5.3							210		
215							27.3	23.4	18.2	12.6						15	9.5	5.3							215		
220								23.4	18.2	12.6						15	9.5	5.3							220		
225									23.3	18.2	12.6						9.5	5.3							225		
230									23	18.2	12.6						9.5	5.3							230		
235									22.2	18.2	12.6						9.5	5.3							235		
240										18.2	12.6						9.5	5.3							240		
245										18.2	12.6							5.3							245		
250										18.2	12.6							5.3							250		
255										18.1	12.6							5.3							255		
260										17.5	12.6							5.3							260		
265											12.6							5.3							265		
270											12.6														270		
275											12.6														275		
280											12.6														280		

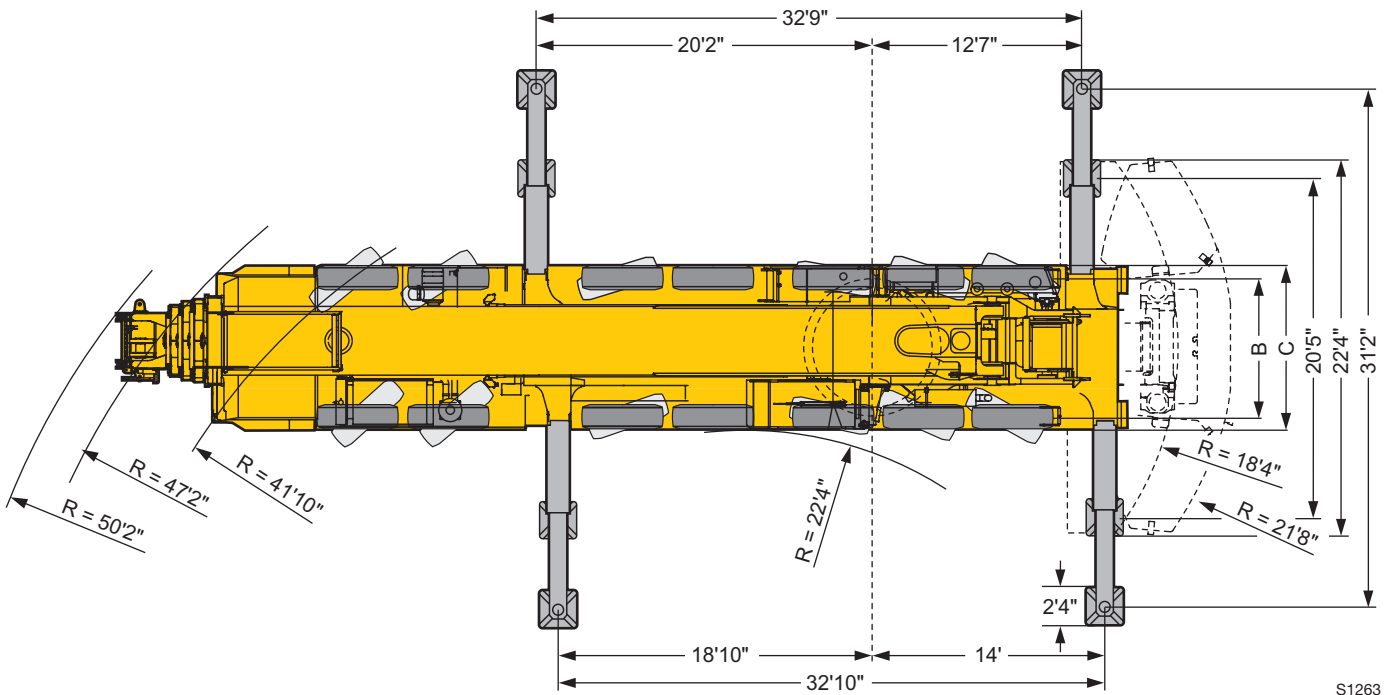
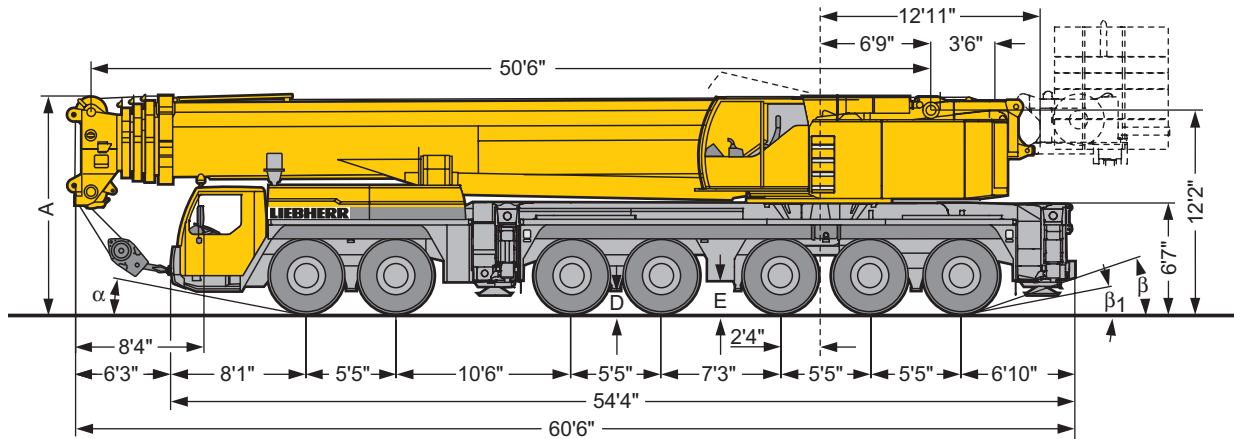
* adapter / pièce d'adaptateur

TAB 146494

Lifting heights
Hauteurs de levage



**Dimensions
Encombrement**



S1263

⊙	Dimensions / Encombrement								
	A	A 6"/4"*	B	C	D	E	α	β	β ₁
16.00 R 25	13'1"	12'10"	8'4"	9'10"	1'3"	1'6"	11°	19°	11°
20.5 R 25	13'1"	12'10"	8'10"	10'7"	1'3"	1'6"	11°	19°	11°

* lowered / abaissé