

Lifting capacities on telescopic boom Forces de levage à la flèche télescopique

41 - 190 ft

360°

50700 lbs

85%

ft	ft												ft	
	41 ft	54 ft	68 ft	82 ft	96 ft	110 ft	123 ft	137 ft	151 ft	165 ft	178 ft	190 ft		
9	230	181	140										9	
10	224	179	140	129									10	
12	158	158	139	129	107								12	
14	149	147	134	125	107	84							14	
16	141	134	126	118	107	84	73						16	
18	130	122	119	111	103	84	72	49.4					18	
20	118	110	111	105	98.5	84	71	49.4	44.1				20	
23	99.5	96	97.5	97	90.5	84	69	49.4	44.1				23	
26	85.5	83	85	84	83	80	66.5	49.4	42.5	33.2			26	
29	75	73	74.5	74	74.5	70.5	63	48	40.6	32.7	25		29	
32	66	65	66.5	65.5	66.5	62.5	59.8	45.5	38.5	31.6	24.7	19.4	32	
35			59.3	59.5	59.1	55.9	54.9	42.9	36.4	30.5	24.1	19.4	15	35
38			53.4	54	53.1	51.8	49.8	40.5	34.5	29.3	23.4	19.2	15	38
44			44.2	44.8	44	44.1	41.6	36.1	31	26.8	22	18.4	14.4	44
50				38.1	38.1	37.4	35.2	32.2	28	24.4	20.5	17.5	13.6	50
56				32.9	33.2	32.2	30.2	28.6	25.4	22.2	19.1	16.4	13	56
62					28.6	28	26.1	25.7	23.1	20.3	17.7	15.3	12.4	62
68					24.9	24.4	22.9	23.2	20.6	18.7	16.5	14.3	11.8	68
74						21.3	20.7	20.6	18.2	17.2	15.4	13.4	11.2	74
80						18.7	19.2	18.3	16.6	15.7	14.2	12.6	10.6	80
86							17.2	16.3	15.2	13.9	13.2	11.9	10	86
92							15.3	14.3	14.1	12.4	12.2	11.1	9.5	92
98							13.8	12.8	13.1	11.5	11.2	10.4	8.9	98
104								11.4	11.7	10.7	9.9	9.8	8.4	104
110									10.6	10.5	9.8	9.1	7.9	110
116										9.4	9.2	8.5	8.2	116
122										8.6	8.5	8	7.4	122
128											7.7	7.4	6.6	128
134											7.1	6.7	5.9	134
140												6.1	5.3	140
146												5.5	4.6	146
152													4.1	152
158													3.6	158
164													3.1	164
170														170
176														176

* over rear · en arrière

TAB 1580301 / 1580391

Remarks referring to load charts

1. The tabulated lifting capacities do not exceed 85% of the tipping load.
2. The crane's structural steelwork is in accordance with DIN 15018, part 3. Design and construction of the crane comply with DIN 15018, part 2, and with F. E. M. regulations.
3. The 85% overturning limit values take into account wind force 5 = wind speed 20 mph.
4. Lifting capacities are given in kips.
5. The weight of the hook blocks and hooks must be deducted from the lifting capacities.
6. Working radii are measured from the slewing centreline.
7. The lifting capacities given for the telescopic boom only apply if the folding jib is taken off.
8. Lifting capacities are subject to modifications.
9. Lifting capacities above 139 kips / 190 kips only with additional pulley block / special equipment.

Remarques relatives aux tableaux des charges

1. Les forces de levage indiquées ne dépassent pas 85% de la charge de basculement.
2. La norme DIN 15018, 3ème partie est appliquée pour les charpentes. La construction de la grue est réalisée conformément à la norme DIN 15018, 2ème partie, et aux règles de la F. E. M.
3. A 85% de la charge de basculement, il a été tenu compte d'un vent de force 5 = vitesse de vent 20 mph.
4. Les forces de levage sont données en kips.
5. Les poids des moufles et crochets doit être soustrait des charges indiquées.
6. Les portées sont calculées à partir de l'axe de rotation.
7. Les forces indiquées pour la flèche télescopique s'entendent fléchette dépliée déposée.
8. Les forces de levage sont modifiables sans préavis.
9. Forces de levage plus de 139 kips / 190 kips seulement avec un moufle complémentaire / équipement supplémentaire.

Lifting capacities on telescopic boom Forces de levage à la flèche télescopique

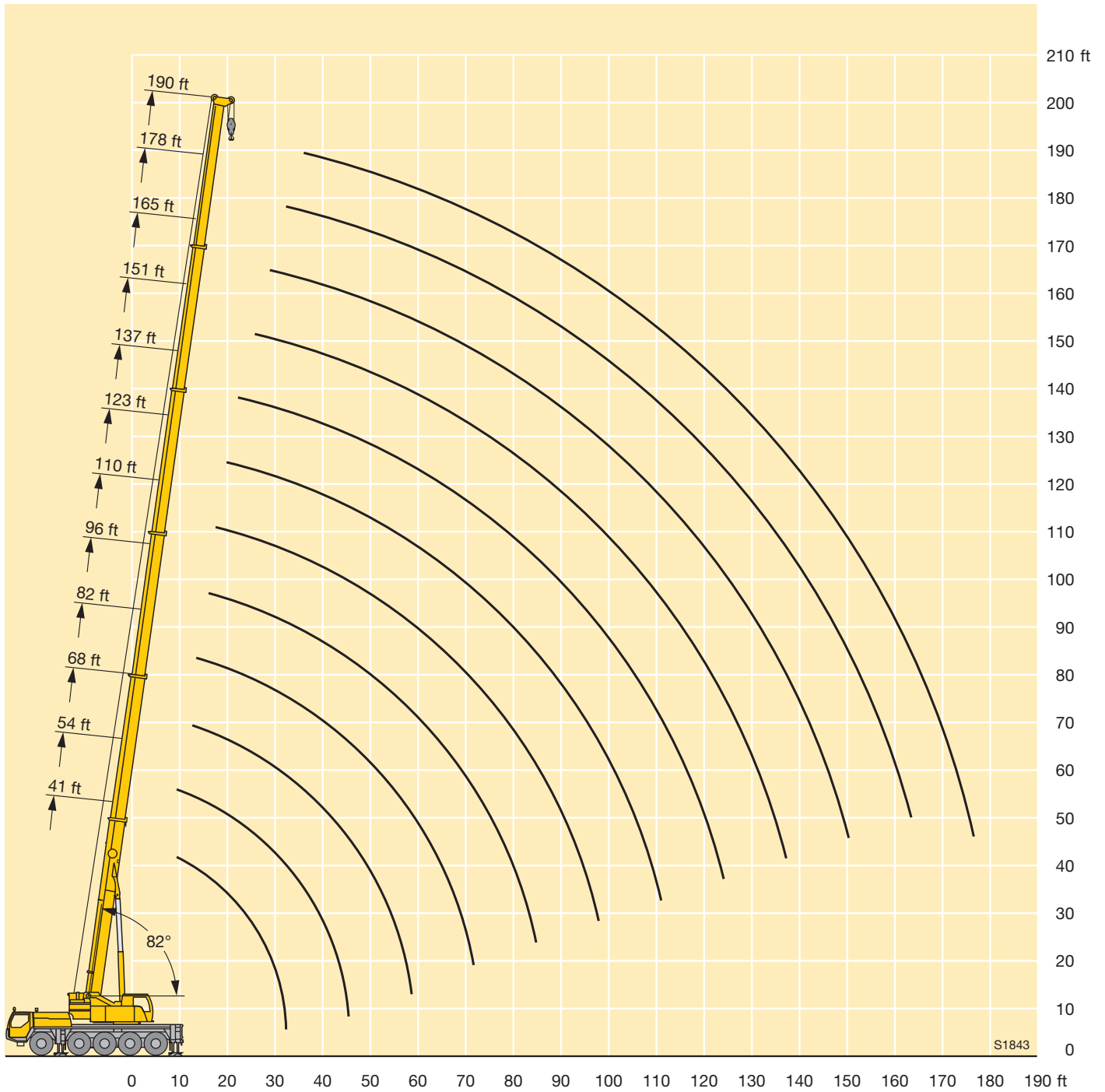
ft	41 ft	54 ft	68 ft	82 ft	96 ft	110 ft	123 ft	137 ft	151 ft	165 ft	178 ft	190 ft	ft
9	183	140											9
10	181	140	129										10
12	158	139	129	107									12
14	145	134	125	107	84								14
16	130	126	118	107	84	73							16
18	117	116	111	103	84	72	49.4						18
20	105	106	104	97.5	83.5	71	49.4	44.1					20
23	88.5	90.5	86.5	83.5	77.5	69	49.4	44.1					23
26	76.5	78	75.5	71.5	66.5	64.5	49.4	42.5	33.2				26
29	66.5	68	65.5	62	60.5	57	48	40.6	32.7	25			29
32	58.5	59.6	57.2	54.8	53.8	50.4	45.5	38.5	31.6	24.7	19.4		32
35		52.7	50.7	49.9	47.9	44.8	41.8	36.4	30.5	24.1	19.4	15	35
38		47.1	46.2	45.1	42.9	40.1	38.3	34.5	29.3	23.4	19.2	15	38
44		37.9	38.4	37	35.2	33.2	32.7	29.5	26.8	22	18.4	14.4	44
50			31.8	30.9	29.4	28.5	27.8	25.5	23.9	20.5	17.5	13.6	50
56			26.5	26.2	24.9	25	23.6	22.1	20.6	19.1	16.4	13	56
62				22.4	21.4	21.9	20.3	19.6	18	17.3	15.3	12.4	62
68				19.1	18.5	19	17.7	17.7	16.3	15.3	14.3	11.8	68
74					16	16.5	15.9	15.5	14.5	13.5	13.3	11.2	74
80					13.8	14.3	14.6	13.7	13.1	12.6	11.8	10.6	80
86						12.6	13	12.1	12	11.4	10.3	10	86
92						11.3	11.4	10.9	10.5	10	9.1	8.9	92
98						10.4	10.1	10	9.3	8.8	7.9	7.8	98
104							9	8.9	8.2	7.7	6.9	6.8	104
110							8.2	8	7.3	6.8	6	5.9	110
116								7.2	6.5	6	5.3	5.1	116
122								6.5	5.8	5.3	4.6	4.4	122
128									5.2	4.7	3.9	3.8	128
134									4.5	4.1	3.3	3.2	134
140										3.5	2.8	2.7	140
146										3			146

TAB 1580394

ft	41 ft	54 ft	68 ft	82 ft	96 ft	110 ft	123 ft	137 ft	151 ft	165 ft	178 ft	190 ft	ft
9	183	140											9
10	181	140	129										10
12	158	139	129	107									12
14	144	134	125	107	84								14
16	129	126	118	107	84	73							16
18	116	116	110	102	84	72	49.4						18
20	103	105	102	94.5	83.5	71	49.4	44.1					20
23	87	89	83.5	80.5	75	69	49.4	44.1					23
26	75	76.5	72.5	68.5	66.5	62.5	49.4	42.5	33.2				26
29	65	65.5	63	59.4	58.5	54.8	48	40.6	32.7	25			29
32	57.2	57.2	55	53.8	51.6	48.2	44.6	38.5	31.6	24.7	19.4		32
35		50.4	49.6	48.2	45.7	42.7	40.5	36.4	30.5	24.1	19.4	15	35
38		45.3	44.7	43	40.9	38.1	36.6	33.9	29.3	23.4	19.2	15	38
44		36.2	36.6	35.2	33.5	31.6	31.1	28.5	26.7	22	18.4	14.4	44
50			30.2	29.4	27.9	27.5	26.3	24.3	23	20.5	17.5	13.6	50
56			25.2	24.9	23.6	24	22.3	21.5	19.8	18.8	16.4	13	56
62				21.2	20.3	20.7	19.3	19.1	17.6	16.6	15.3	12.4	62
68				18.2	17.5	18	17.2	16.7	15.7	14.6	14.2	11.8	68
74					15	15.6	15.6	14.6	14	13.4	12.7	11.2	74
80					13	13.5	13.9	12.9	12.7	12.1	11	10.5	80
86						12.2	12.2	11.6	11.2	10.6	9.6	9.4	86
92						11.2	10.6	10.6	9.8	9.2	8.3	8.2	92
98						10	9.4	9.3	8.6	8.1	7.2	7.1	98
104							8.5	8.3	7.6	7.1	6.3	6.2	104
110							7.6	7.4	6.7	6.3	5.4	5.3	110
116								6.6	6	5.5	4.7	4.6	116
122								5.9	5.3	4.8	4	3.9	122
128									4.7	4.2	3.4	3.3	128
134									4	3.6	2.8	2.7	134
140										3			140
146										2.5			146

TAB 1580395

Lifting heights
Hauteurs de levage



Lifting capacities on the hydraulically or mechanically via Forces de levage à la fléchette pliante à variation hydra ou mécanique

Lifting Charts

ft	41 ft			96 ft			110 ft			123 ft			137 ft			ft
	34 ft			34 ft			34 ft			34 ft			34 ft			
	0°	20°	40°	0°	20°	40°	0°	20°	40°	0°	20°	40°	0°	20°	40°	
12	25.1			25.1			25.1									12
14	25.1	22.1		25.1			25.1									14
17	25.1	21.9		25.1			25.1									17
20	25	21.3	16.4	25.1			25.1			24.3						20
23	23.9	20.2	16.4	25.1			25.1			24.3						23
26	22.4	19.3	16.2	25.1			25.1			24.3			20.6			26
29	20.8	18.4	15.7	25.1	22.1		25.1			24.3			20.6			29
32	19.4	17.6	15.3	25.1	21.5		25.1	21.1		24.3			20.6			32
35	18.1	16.7	14.9	25.1	20.9	16.4	25.1	20.8		24	19.9		20.6			35
38	16.9	15.8	14.6	25.1	20.3	16.2	25.1	20.3	16	23.6	19.7		20.5	18.2		38
44	15	14.1	13.6	24.2	19.3	15.7	24.2	19.4	15.7	22.7	18.9	15.3	20.2	17.9	14.8	44
50	13.4	12.8	12.5	22.6	18.3	15.2	22.9	18.5	15.2	21.7	18.2	15	19.7	17.3	14.6	50
56	12.1	11.7	11.6	20.8	17.4	14.8	21.5	17.6	14.8	20.8	17.4	14.7	18.9	16.8	14.4	56
62	10.9	10.8		19.1	16.4	14.5	20.1	16.8	14.5	19.8	16.7	14.4	17.8	16.3	14.1	62
68				17.6	15.4	14	18.7	16	14.2	18.8	16	14.1	16.5	15.6	13.9	68
74				16.4	14.4	13.4	17.4	15.1	13.8	17.6	15.3	13.8	15.1	14.8	13.6	74
80				15.2	13.6	12.8	16.2	14.3	13.3	15.9	14.5	13.4	13.9	13.8	13.2	80
86				14.3	12.9	12.3	15.2	13.6	12.8	14.2	13.8	12.9	12.9	12.8	12.6	86
92				13.3	12.2	11.8	13.9	12.9	12.3	13.1	13.2	12.4	11.8	11.9	12	92
98				12.6	11.7	11.4	12.5	12.4	11.9	11.7	12.3	12.1	10.5	11	11.2	98
104				11.9	11.2	11.2	11.1	11.5	11.5	10.5	11.1	11.4	9.3	10	10.3	104
110				10.8	10.8		9.9	10.3	10.4	9.3	9.8	10.1	8.3	8.8	9.3	110
116				9.8	10		8.9	9.2	8.8	8.3	8.7	9	7.7	7.9	8.2	116
122							8.1	8.3		7.4	7.8	8	7.2	7.3	7.4	122
128							7.2	7.4		6.6	6.9	7.1	6.5	6.8	6.9	128
134										5.8	6.1		5.7	6.1	6.2	134
140										5	5.3		4.9	5.3	5.4	140
146													4.3	4.6		146
152													3.7	3.9		152

TAB 1580321 / 1580331 / 1580341

ft	151 ft			165 ft			178 ft			190 ft			ft
	34 ft			34 ft			34 ft			34 ft			
	0°	20°	40°	0°	20°	40°	0°	20°	40°	0°	20°	40°	
29	17												29
32	17			12.4									32
35	17			12.4			9.7						35
38	17			12.4			9.7				7.8		38
44	17	16.3		12.4	12.4		9.7			7.8			44
50	16.6	15.8	13.8	12.3	12		9.6	9.5		7.8	7.8		50
56	15.8	15.1	13.7	12	11.5	10.9	9.4	9.3	8.7	7.8	7.8		56
62	14.8	14.2	13.4	11.5	10.9	10.6	9.1	8.9	8.6	7.8	7.7	7.5	62
68	13.8	13.3	12.9	10.9	10.4	10	8.7	8.5	8.4	7.7	7.5	7.5	68
74	12.9	12.4	12.2	10.3	9.8	9.5	8.4	8.1	8.1	7.5	7.3	7.3	74
80	12	11.6	11.4	9.6	9.3	9.1	8	7.8	7.7	7.2	7	7	80
86	11.2	10.9	10.7	9.1	8.8	8.6	7.6	7.4	7.4	6.9	6.7	6.7	86
92	10.3	10.2	10.1	8.5	8.3	8.3	7.3	7.1	7.1	6.5	6.5	6.5	92
98	9.5	9.5	9.5	8	7.9	7.9	6.9	6.8	6.8	6.2	6.2	6.2	98
104	8.8	8.8	8.9	7.6	7.5	7.6	6.6	6.5	6.5	5.9	5.9	5.9	104
110	7.9	8.2	8.3	7.2	7.1	7.2	6.3	6.2	6.2	5.7	5.7	5.7	110
116	7	7.6	7.8	6.8	6.8	6.8	6	5.9	6	5.4	5.4	5.5	116
122	6.4	6.7	7.1	6.3	6.4	6.5	5.7	5.7	5.7	5.1	5.2	5.2	122
128	6	6.1	6.3	5.6	6	6.2	5.4	5.4	5.5	4.9	4.9	5	128
134	5.6	5.7	5.7	5.1	5.4	5.7	5.1	5.2	5.3	4.6	4.7	4.8	134
140	5.1	5.3	5.4	4.8	4.9	5.1	4.5	4.9	5	4.3	4.4	4.5	140
146	4.4	4.8	5	4.5	4.6	4.6	4	4.4	4.6	3.7	4.1	4.3	146
152	3.9	4.2	4.3	4.2	4.3	4.4	3.4	3.8	4	3.2	3.6	3.9	152
158	3.7	3.8		3.7	4	4.1	2.9	3.3	3.5	2.7	3.1	3.3	158
164	3.5	3.6		3.2	3.4	3.5	2.4	2.8	2.9	2.3	2.6	2.8	164
170	3.2	3.3		2.7	2.9		1.9	2.3	2.4	1.9	2.2	2.3	170
176				2.3	2.4					1.9		1.9	176
182				1.9	2								182

TAB 1580321 / 1580331 / 1580341

**Lifting capacities on the hydraulically or mechanically variable
Forces de levage à la fléchette pliante à variation hydraulique
ou mécanique**

Lifting Charts



ft	41 ft			96 ft			110 ft			123 ft			137 ft			ft
	62 ft			62 ft			62 ft			62 ft			62 ft			
	0°	20°	40°	0°	20°	40°	0°	20°	40°	0°	20°	40°	0°	20°	40°	
12	9															12
14	9															14
17	9															17
20	9			9												20
23	9			9												23
26	8.7			9			8.5									26
29	8.5	7.3		9			8.5			7.8						29
32	8.2	7.3		9			8.5			7.8			7.3			32
35	8	7.3		9			8.5			7.8			7.3			35
38	7.7	7.2		9			8.5			7.8			7.3			38
44	7	6.9		8.5	7.3		8.5			7.8			7.3			44
50	6.3	6.5	5.8	8.3	7.3		8.3	7		7.8	6.8		7.3			50
56	5.7	6	5.7	8.1	7.1		8	7		7.7	6.8		7.3	6.6		56
62	5.1	5.5	5.5	7.7	6.9	5.8	7.7	6.8	5.8	7.5	6.7		7.3	6.5		62
68	4.6	4.9	5.2	7.3	6.6	5.8	7.4	6.6	5.8	7.2	6.5	5.6	7.1	6.4	5.6	68
74	4.2	4.5	4.8	6.8	6.4	5.7	7	6.3	5.7	6.9	6.3	5.6	6.9	6.2	5.6	74
80	3.9	4.1	4.3	6.3	6.1	5.6	6.6	6.1	5.6	6.5	6.1	5.5	6.6	6.1	5.5	80
86	3.6	3.7		5.9	5.8	5.5	6.2	5.9	5.5	6.2	5.9	5.5	6.3	6	5.4	86
92				5.6	5.4	5.4	5.8	5.6	5.4	5.8	5.6	5.4	6	5.7	5.3	92
98				5.2	5.1	5.1	5.5	5.3	5.3	5.4	5.4	5.2	5.6	5.4	5.3	98
104				4.9	4.8	4.8	5.2	5.1	5	5.1	5.1	5	5.3	5.2	5.1	104
110				4.6	4.5	4.6	4.9	4.8	4.8	4.8	4.8	4.8	5	5	4.9	110
116				4.3	4.3	4.3	4.7	4.6	4.6	4.5	4.6	4.6	4.8	4.7	4.7	116
122				4	4	4.1	4.4	4.4	4.4	4.2	4.3	4.4	4.5	4.5	4.5	122
128				3.8	3.8	3.9	4.2	4.2	4.2	4	4.1	4.2	4.3	4.3	4.4	128
134				3.6	3.6		4	4	4	3.8	3.8	3.9	4	4.1	4.2	134
140				3.4	3.5		3.8	3.8	3.9	3.5	3.6	3.7	3.8	3.9	4	140
146							3.6	3.6		3.3	3.4	3.5	3.6	3.7	3.8	146
152							3.5	3.5		3.1	3.2	3.3	3.5	3.5	3.6	152
158										3	3		3.3	3.3	3.4	158
164										2.8	2.9		3.1	3.2	3.2	164
170										2.7	2.7		3	3	3.1	170
176										2.5			2.9	2.9		176
182													2.7	2.8		182
188													2.6			188

TAB 1580321 / 1580331 / 1580341

Lifting capacities on the hydraulically or mechanically via Forces de levage à la fléchette pliante à variation hydra ou mécanique



ft	151 ft			165 ft			178 ft			190 ft			ft
	62 ft			62 ft			62 ft			62 ft			
	0°	20°	40°	0°	20°	40°	0°	20°	40°	0°	20°	40°	
35	7.3												35
38	7.3			6.8									38
44	7.3			6.8			5.6						44
50	7.3			6.8			5.6			4.6			50
56	7.3	6.6		6.8			5.6			4.6			56
62	7.3	6.6		6.8	6.3		5.6			4.6			62
68	7.3	6.5		6.8	6.3		5.6	5.6		4.6	4.6		68
74	7.2	6.4	5.5	6.7	6.2	5.3	5.6	5.6		4.6	4.6		74
80	7	6.2	5.5	6.6	6	5.3	5.6	5.6	5.1	4.5	4.6		80
86	6.9	6.1	5.4	6.6	5.9	5.3	5.6	5.5	5.1	4.5	4.6	4.6	86
92	6.7	6	5.4	6.5	5.8	5.3	5.6	5.4	5.1	4.4	4.6	4.6	92
98	6.5	5.8	5.3	6.4	5.7	5.2	5.4	5.3	5	4.3	4.6	4.6	98
104	6.3	5.7	5.3	6.2	5.6	5.2	5.2	5.1	5	4.3	4.6	4.6	104
110	6	5.6	5.2	6	5.5	5.1	5	4.9	4.8	4.2	4.5	4.5	110
116	5.7	5.5	5.2	5.7	5.4	5.1	4.9	4.8	4.7	4.2	4.4	4.3	116
122	5.5	5.3	5.1	5.5	5.3	5.1	4.7	4.6	4.6	4.1	4.2	4.2	122
128	5.2	5.1	5	5.2	5.2	5.1	4.5	4.4	4.4	4	4.1	4.1	128
134	4.9	5	4.9	5	5	5	4.3	4.3	4.3	3.9	3.9	4	134
140	4.7	4.7	4.8	4.7	4.8	4.8	4.1	4.1	4.1	3.7	3.8	3.8	140
146	4.4	4.5	4.6	4.2	4.6	4.7	3.9	3.9	4	3.5	3.6	3.7	146
152	4.2	4.3	4.4	3.7	4.3	4.5	3.7	3.8	3.9	3.3	3.4	3.6	152
158	4	4.1	4.2	3.5	3.8	4.3	3.3	3.6	3.7	3	3.3	3.4	158
164	3.5	3.9	4	3.4	3.4	3.8	2.8	3.5	3.6	2.6	3.2	3.2	164
170	3.1	3.6	3.8	3.2	3.3	3.4	2.4	3	3.4	2.2	2.8	3.1	170
176	2.7	3.1	3.2	2.8	3.1	3.2	2	2.6	2.9		2.4	2.8	176
182	2.6	2.7	2.8	2.4	2.8	3		2.2	2.5		2	2.4	182
188	2.4	2.5		2	2.4	2.6		1.8	2			1.9	188
194	2.2	2.3		1.6	2	2.1							194
200	1.9												200

TAB 1580321 / 1580331 / 1580341

**Lifting capacities on the hydraulically or mechanically variable
Forces de levage à la fléchette pliante à variation hydraulique
ou mécanique**

Lifting Charts

41 - 190 ft 34 ft 360° 30000 lbs **85%**

ft	41 ft			96 ft			110 ft			123 ft			137 ft			ft
	34 ft			34 ft			34 ft			34 ft			34 ft			
	0°	20°	40°	0°	20°	40°	0°	20°	40°	0°	20°	40°	0°	20°	40°	
12	25.1			25.1												12
14	25.1	22.1		25.1												14
17	25.1	21.9		25.1			25.1									17
20	25	21.3	16.4	25.1			25.1			24.3						20
23	23.9	20.2	16.4	25.1			25.1			24.3						23
26	22.4	19.3	16.2	25.1			25.1			24.3			20.6			26
29	20.8	18.4	15.7	25.1	22.1		25.1			24.3			20.6			29
32	19.4	17.6	15.3	25.1	21.5		25.1	21.1		24.3			20.6			32
35	18.1	16.7	14.9	25.1	20.9	16.4	25.1	20.8		24	19.9		20.6			35
38	16.9	15.8	14.6	25.1	20.3	16.2	25.1	20.3	16	23.6	19.7		20.5	18.2		38
44	15	14.1	13.6	24.2	19.3	15.7	24.2	19.4	15.7	22.7	18.9	15.3	20.2	17.9	14.8	44
50	13.4	12.8	12.5	22.6	18.3	15.2	22.9	18.5	15.2	21.7	18.2	15	19.7	17.3	14.6	50
56	12.1	11.7	11.6	20.8	17.4	14.8	20.9	17.6	14.8	19.8	17.4	14.7	18.1	16.8	14.4	56
62	10.9	10.8		19.1	16.4	14.5	18.3	16.8	14.5	17.2	16.7	14.4	15.8	16.1	14.1	62
68				17.2	15.4	14	15.9	15.9	14.2	14.7	15.6	14.1	13.9	14.7	13.9	68
74				15	14.4	13.4	13.8	14.6	13.8	12.7	13.8	13.7	12.3	12.8	13.3	74
80				13.2	13.5	12.8	12	12.9	13.2	11	12	12.8	10.6	11.5	11.8	80
86				11.7	12.3	12.2	10.5	11.3	11.9	9.5	10.4	11.1	9.2	10.1	10.7	86
92				10.2	10.8	11.2	9.2	9.9	10.4	8.2	9	9.7	7.9	8.8	9.4	92
98				8.9	9.4	9.6	8.1	8.7	9.1	7.1	7.8	8.4	6.9	7.6	8.2	98
104				7.9	8.3	8.4	7.1	7.6	7.9	6.2	6.8	7.2	5.9	6.6	7.1	104
110				7	7.3		6.1	6.6	6.8	5.6	5.9	6.2	5	5.6	6.1	110
116				6.1	6.3		5.2	5.7	5.8	5.2	5.3	5.4	4.3	4.8	5.2	116
122							4.5	4.8		4.9	4.9	5	3.6	4.1	4.4	122
128							3.8	4		4.6	4.6	4.7	3	3.4	3.7	128
134										4.3	4.4			2.8	3	134
140										3.8	4					140

TAB 1580325 / 1580335 / 1580345

41 - 190 ft 34 ft 360° 30000 lbs **85%**

ft	151 ft			165 ft			178 ft			190 ft			ft
	34 ft			34 ft			34 ft			34 ft			
	0°	20°	40°	0°	20°	40°	0°	20°	40°	0°	20°	40°	
29	17												29
32	17			12.4									32
35	17			12.4			9.7						35
38	17			12.4			9.7			7.8			38
44	17	16.3		12.4	12.4		9.7			7.8			44
50	16.6	15.8	13.8	12.3	12		9.6	9.5		7.8	7.8		50
56	15.8	15.1	13.7	12	11.5	10.9	9.4	9.3	8.7	7.8	7.8		56
62	14.6	14.2	13.4	11.5	10.9	10.6	9.1	8.9	8.6	7.8	7.7	7.5	62
68	13	13.3	12.9	10.9	10.4	10	8.7	8.5	8.4	7.7	7.5	7.5	68
74	11.2	12.1	12.2	10.3	9.8	9.5	8.4	8.1	8.1	7.5	7.3	7.3	74
80	10.1	10.6	11.3	9.5	9.3	9.1	8	7.8	7.7	7.2	7	7	80
86	9.1	9.1	9.9	8.3	8.7	8.6	7.6	7.4	7.4	6.9	6.7	6.7	86
92	7.9	8.6	8.5	7.3	7.9	8.3	7.3	7.1	7.1	6.5	6.5	6.5	92
98	6.9	7.6	8	7	6.9	7.4	6.2	6.8	6.8	6	6.2	6.2	98
104	6.4	6.6	7.1	6.2	6.5	6.6	5.3	6	6.5	5.1	5.7	5.9	104
110	6	6.1	6.3	5.4	6	6.2	4.5	5.2	5.7	4.3	5	5.4	110
116	5.3	5.7	5.8	4.7	5.2	5.6	3.7	4.4	4.9	3.5	4.2	4.7	116
122	4.7	5.1	5.3	4	4.5	4.9	3.1	3.7	4.1	2.9	3.5	3.9	122
128	4	4.5	4.7	3.4	3.8	4.2		3	3.4		2.8	3.3	128
134	3.5	3.8	4.1	2.8	3.2	3.5			2.8			2.6	134
140	2.9	3.3	3.5		2.7	3							140
146	2.4	2.7	2.9										146

TAB 1580325 / 1580335 / 1580345

Lifting capacities on the hydraulically or mechanically via Forces de levage à la fléchette pliante à variation hydra ou mécanique

Lifting Charts

ft	41 ft			96 ft			110 ft			123 ft			137 ft			ft
	62 ft			62 ft			62 ft			62 ft			62 ft			
	0°	20°	40°	0°	20°	40°	0°	20°	40°	0°	20°	40°	0°	20°	40°	
12	9															12
14	9															14
17	9															17
20	9			9												20
23	9			9												23
26	8.7			9			8.5									26
29	8.5	7.3		9			8.5			7.8						29
32	8.2	7.3		9			8.5			7.8			7.3			32
35	8	7.3		9			8.5			7.8			7.3			35
38	7.7	7.2		9			8.5			7.8			7.3			38
44	7	6.9		8.5	7.3		8.5			7.8			7.3			44
50	6.3	6.5	5.8	8.3	7.3		8.3	7		7.8	6.8		7.3			50
56	5.7	6	5.7	8.1	7.1		8	7		7.7	6.8		7.3	6.6		56
62	5.1	5.5	5.5	7.7	6.9	5.8	7.7	6.8	5.8	7.5	6.7		7.3	6.5		62
68	4.6	4.9	5.2	7.3	6.6	5.8	7.4	6.6	5.8	7.2	6.5	5.6	7.1	6.4	5.6	68
74	4.2	4.5	4.8	6.8	6.4	5.7	7	6.3	5.7	6.9	6.3	5.6	6.9	6.2	5.6	74
80	3.9	4.1	4.3	6.3	6.1	5.6	6.6	6.1	5.6	6.5	6.1	5.5	6.6	6.1	5.5	80
86	3.6	3.7		5.9	5.8	5.5	6.2	5.9	5.5	6.2	5.9	5.5	6.3	6	5.4	86
92				5.6	5.4	5.4	5.8	5.6	5.4	5.8	5.6	5.4	6	5.7	5.3	92
98				5.2	5.1	5.1	5.5	5.3	5.3	5.4	5.4	5.2	5.6	5.4	5.3	98
104				4.9	4.8	4.8	5.2	5.1	5	5.1	5.1	5	5.3	5.2	5.1	104
110				4.6	4.5	4.6	4.9	4.8	4.8	4.8	4.8	4.8	5	5	4.9	110
116				4.3	4.3	4.3	4.7	4.6	4.6	4.5	4.6	4.6	4.8	4.7	4.7	116
122				4	4	4.1	4.4	4.4	4.4	4.2	4.3	4.4	4.5	4.5	4.5	122
128				3.8	3.8	3.9	4.2	4.2	4.2	4	4.1	4.2	4.3	4.3	4.4	128
134				3.6	3.6		4	4	4	3.8	3.8	3.9	4	4.1	4.2	134
140				3.4	3.5		3.8	3.8	3.9	3.5	3.6	3.7	3.8	3.9	4	140
146							3.6	3.6		3.3	3.4	3.5	3.6	3.7	3.8	146
152							3.5	3.5		3.1	3.2	3.3	3.2	3.5	3.6	152
158										3	3		2.7	3.2	3.4	158
164										2.6	2.9		2.3	2.7	2.9	164
170										2.3	2.5		1.9	2.2	2.3	170
176										1.9				1.8		176

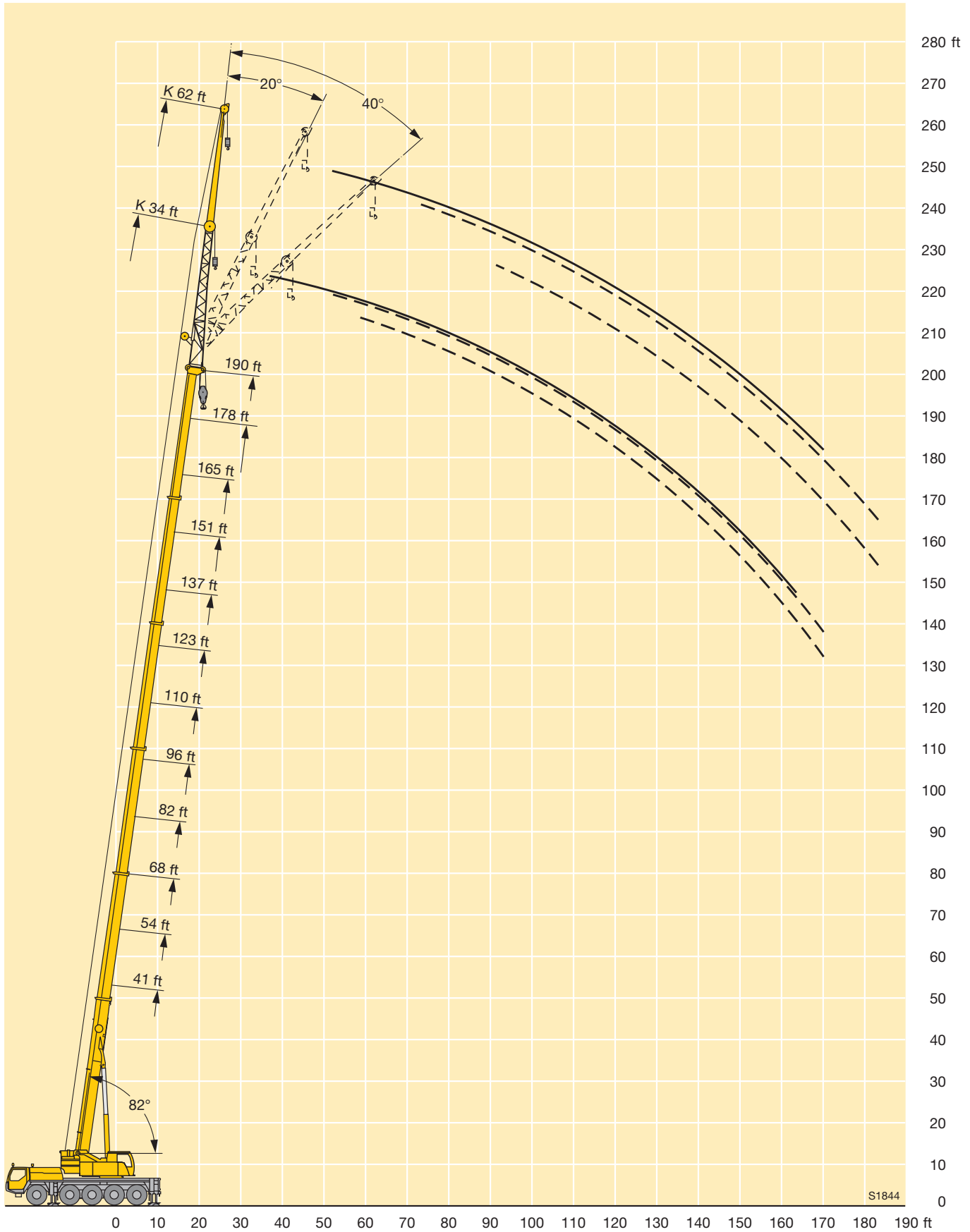
TAB 1580325 / 1580335 / 1580345

ft	151 ft			165 ft			178 ft			190 ft			ft
	62 ft			62 ft			62 ft			62 ft			
	0°	20°	40°	0°	20°	40°	0°	20°	40°	0°	20°	40°	
35	7.3												35
38	7.3			6.8									38
44	7.3			6.8			5.6						44
50	7.3			6.8			5.6			4.6			50
56	7.3	6.6		6.8			5.6			4.6			56
62	7.3	6.6		6.8	6.3		5.6			4.6			62
68	7.3	6.5		6.8	6.3		5.6	5.6		4.6	4.6		68
74	7.2	6.4	5.5	6.7	6.2	5.3	5.6	5.6		4.6	4.6		74
80	7	6.2	5.5	6.6	6	5.3	5.6	5.6	5.1	4.5	4.6		80
86	6.9	6.1	5.4	6.6	5.9	5.3	5.6	5.5	5.1	4.5	4.6	4.6	86
92	6.7	6	5.4	6.5	5.8	5.3	5.6	5.4	5.1	4.4	4.6	4.6	92
98	6.5	5.8	5.3	6.4	5.7	5.2	5.4	5.3	5	4.3	4.6	4.6	98
104	6.3	5.7	5.3	5.5	5.6	5.2	5.2	5.1	5	4.3	4.6	4.6	104
110	5.7	5.6	5.2	5.1	5.5	5.1	4.8	4.9	4.8	4.2	4.5	4.5	110
116	5	5.5	5.2	4.9	5.1	5.1	4.1	4.8	4.7	3.8	4.4	4.3	116
122	4.6	5.1	5.1	4.3	4.7	5.1	3.5	4.5	4.6	3.2	4.2	4.2	122
128	4.3	4.6	5	3.7	4.4	4.7	2.9	3.9	4.4	2.6	3.7	4.1	128
134	3.8	4.2	4.6	3.2	4.1	4.3		3.3	4.1		3.1	3.8	134
140	3.3	3.9	4.1	2.7	3.5	4		2.7	3.4		2.5	3.3	140
146	2.9	3.5	3.8		3	3.5			2.9			2.7	146
152	2.4	3	3.5		2.5	3							152
158		2.6	2.9			2.5							158
164		2.1	2.5			2							164
170			2										170

TAB 1580325 / 1580335 / 1580345

Lifting heights
Hauteurs de levage

Lifting Charts



Lifting capacities on the hydraulically or mechanically via with boom extension

Forces de levage à la fléchette pliante à variation hydraulique ou mécanique avec télescope rallongé



ft	41 ft + 23 ft			151 ft + 23 ft			165 ft + 23 ft			178 ft + 23 ft			190 ft + 23 ft			ft
	34 ft			34 ft			34 ft			34 ft			34 ft			
	0°	20°	40°	0°	20°	40°	0°	20°	40°	0°	20°	40°	0°	20°	40°	
10	7.8															10
12	7.8															12
14	7.8															14
16	7.8															16
18	7.8	7.8														18
20	7.7	7.8														20
23	7.6	7.8														23
26	7.3	7.6														26
29	6.9	7.3	7													29
32	6.6	6.9	7													32
35	6.2	6.5	6.9													35
38	5.8	6.2	6.5	7.8												38
44	5.2	5.6	5.9	7.8			7			6.3						44
50	4.6	5	5.3	7.8	7.7		7	7		6.3			5.3			50
56	4.1	4.4	4.7	7.7	7.5	7	7	7		6.3	6.3		5.3			56
62	3.6	3.9	4.2	7.4	7.1	6.9	7	6.8	6.6	6.3	6.3	6.3	5.3	5.3		62
68	3.1	3.5	3.7	7	6.8	6.7	6.8	6.6	6.5	6.3	6.3	6.2	5.3	5.3	5.3	68
74	2.7	3	3.2	6.7	6.5	6.4	6.5	6.3	6.2	6.2	6.1	6	5.2	5.3	5.3	74
80	2.3	2.5	2.7	6.3	6.1	6.1	6.3	6.1	6	6	5.9	5.8	5.1	5.2	5.2	80
86				6	5.8	5.8	6	5.8	5.7	5.8	5.6	5.6	5	5.1	5	86
92				5.7	5.6	5.5	5.7	5.5	5.5	5.6	5.4	5.4	4.9	4.9	4.8	92
98				5.4	5.3	5.3	5.4	5.3	5.3	5.3	5.2	5.2	4.7	4.7	4.7	98
104				5.1	5.1	5	5.1	5.1	5	5	5	5	4.6	4.5	4.5	104
110				4.8	4.8	4.8	4.9	4.8	4.8	4.8	4.8	4.8	4.4	4.3	4.3	110
116				4.5	4.5	4.6	4.6	4.6	4.6	4.6	4.6	4.6	4.2	4.1	4.2	116
122				4.3	4.3	4.4	4.4	4.4	4.4	4.4	4.4	4.4	4	4	4	122
128				4	4.1	4.1	4.2	4.2	4.2	4.2	4.2	4.2	3.8	3.8	3.8	128
134				3.8	3.8	3.9	4	4	4	4	4	4	3.6	3.6	3.7	134
140				3.6	3.6	3.7	3.8	3.8	3.8	3.8	3.8	3.8	3.4	3.5	3.5	140
146				3.4	3.4	3.5	3.6	3.6	3.6	3.6	3.6	3.7	3.2	3.3	3.3	146
152				3.1	3.2	3.3	3.4	3.4	3.5	3.2	3.4	3.5	2.9	3.1	3.2	152
158				2.9	3	3.1	3.2	3.2	3.3	2.7	3.1	3.3	2.4	2.9	3	158
164				2.7	2.8	2.9	3	3.1	3.1	2.2	2.6	2.8	2	2.4	2.6	164
170				2.5	2.6	2.7	2.6	2.9	2.9		2.1	2.3		1.9	2.2	170
176				2.4	2.4	2.5	2.2	2.5	2.6			1.9				176
182				2.2	2.3		1.8	2	2.1							182
188				1.9	2											188
194				1.6	1.6											194

TAB 1580351 / 1580361 / 1580371

Lifting capacities on the hydraulically or mechanically variable boom extension

Forces de levage à la fléchette pliante à variation hydraulique ou mécanique avec télescope rallongé

ft	41 ft + 23 ft			151 ft + 23 ft			165 ft + 23 ft			178 ft + 23 ft			188 ft + 23 ft			ft
	62 ft			62 ft			62 ft			62 ft			62 ft			
	0°	20°	40°	0°	20°	40°	0°	20°	40°	0°	20°	40°	0°	20°	40°	
14	5.1															14
16	5.1															16
18	5.1															18
20	5.1															20
23	5.1															23
26	5.1															26
29	5.1															29
32	5															32
35	4.9	4.6														35
38	4.8	4.6														38
44	4.6	4.6		5.1												44
50	4.2	4.4	4.1	5.1			4.4			3.9						50
56	3.8	4.2	4.1	5.1			4.4			3.9			2.9			56
62	3.5	3.9	4	5.1	4.6		4.4			3.9			2.9			62
68	3.3	3.5	3.8	5.1	4.6		4.4	4.4		3.9			2.9			68
74	3.1	3.2	3.5	5	4.6		4.4	4.4		3.9	3.9		2.9	2.9		74
80	2.9	2.9	3.2	4.8	4.6	4.1	4.4	4.4	4.1	3.9	3.9		2.9	2.9		80
86	2.6	2.7	2.9	4.7	4.4	4.1	4.4	4.3	4.1	3.9	3.9	3.6	2.9	2.9		86
92	2.4	2.4	2.6	4.5	4.3	4.1	4.4	4.1	4.1	3.9	3.9	3.6	2.9	2.9		92
98	2.2	2.1	2.3	4.3	4.1	4.1	4.2	4	4	3.9	3.9	3.6	2.9	2.9	2.9	98
104	2	1.8	1.9	4.1	4	3.9	4.1	3.9	3.9	3.8	3.8	3.6	2.8	2.9	2.9	104
110	1.8	1.7	1.7	3.9	3.8	3.8	3.9	3.8	3.7	3.7	3.6	3.6	2.7	2.9	2.9	110
116	1.5			3.7	3.7	3.7	3.7	3.6	3.6	3.6	3.6	3.5	2.7	2.9	2.9	116
122				3.5	3.5	3.5	3.6	3.5	3.5	3.5	3.5	3.4	2.7	2.9	2.9	122
128				3.3	3.3	3.3	3.4	3.4	3.4	3.4	3.3	3.3	2.7	2.8	2.9	128
134				3.2	3.2	3.2	3.3	3.2	3.2	3.2	3.2	3.2	2.6	2.8	2.9	134
140				3	3	3.1	3.1	3.1	3.1	3.1	3.1	3.1	2.6	2.7	2.8	140
146				2.8	2.9	2.9	2.9	2.9	3	2.9	2.9	3	2.5	2.6	2.7	146
152				2.7	2.7	2.8	2.8	2.8	2.8	2.8	2.8	2.8	2.4	2.5	2.6	152
158				2.5	2.6	2.7	2.6	2.7	2.7	2.7	2.7	2.7	2.3	2.4	2.5	158
164				2.4	2.5	2.5	2.5	2.5	2.6	2.5	2.6	2.6	2.2	2.3	2.4	164
170				2.2	2.3	2.4	2.4	2.4	2.5	2.1	2.5	2.5	1.9	2.2	2.3	170
176				2.1	2.2	2.3	2.2	2.3	2.4		2.3	2.4		2.1	2.2	176
182				1.9	2	2.1	2.1	2.2	2.3		1.9	2.3		1.8	2.1	182
188				1.8	1.9	2	1.8	2.1	2.1		1.9				1.8	188
194				1.6	1.8	1.8		1.9	2							194
200					1.6	1.6										200

TAB 1580351 / 1580361 / 1580371

Lifting capacities on the hydraulically or mechanically va with boom extension

Forces de levage à la fléchette pliante à variation hydra ou mécanique avec télescope rallongé



ft	41 ft + 23 ft			151 ft + 23 ft			165 ft + 23 ft			178 ft + 23 ft			190 ft + 23 ft			ft
	34 ft			34 ft			34 ft			34 ft			34 ft			
	0°	20°	40°	0°	20°	40°	0°	20°	40°	0°	20°	40°	0°	20°	40°	
10	7.8															10
12	7.8															12
14	7.8															14
16	7.8															16
18	7.8	7.8														18
20	7.7	7.8														20
23	7.6	7.8														23
26	7.3	7.6														26
29	6.9	7.3	7													29
32	6.6	6.9	7													32
35	6.2	6.5	6.9													35
38	5.8	6.2	6.5	7.8												38
44	5.2	5.6	5.9	7.8			7			6.3						44
50	4.6	5	5.3	7.8	7.7		7	7		6.3			5.3			50
56	4.1	4.4	4.7	7.7	7.5	7	7	7		6.3	6.3		5.3			56
62	3.6	3.9	4.2	7.4	7.1	6.9	7	6.8	6.6	6.3	6.3	6.3	5.3	5.3		62
68	3.1	3.5	3.7	7	6.8	6.7	6.8	6.6	6.5	6.3	6.3	6.2	5.3	5.3	5.3	68
74	2.7	3	3.2	6.7	6.5	6.4	6.5	6.3	6.2	6.2	6.1	6	5.2	5.3	5.3	74
80	2.3	2.5	2.7	6.3	6.1	6.1	6.3	6.1	6	6	5.9	5.8	5.1	5.2	5.2	80
86				6	5.8	5.8	6	5.8	5.7	5.8	5.6	5.6	5	5.1	5	86
92				5.7	5.6	5.5	5.7	5.5	5.5	5.6	5.4	5.4	4.9	4.9	4.8	92
98				5.4	5.3	5.3	5.4	5.3	5.3	5.3	5.2	5.2	4.7	4.7	4.7	98
104				5.1	5.1	5	5.1	5.1	5	5	5	5	4.6	4.5	4.5	104
110				4.8	4.8	4.8	4.9	4.8	4.8	4.2	4.8	4.8	4	4.3	4.3	110
116				4.5	4.5	4.6	4.4	4.6	4.6	3.5	4.2	4.5	3.3	3.9	4.2	116
122				4.2	4.3	4.4	3.7	4.2	4.4	2.8	3.5	3.9		3.3	3.7	122
128				3.8	4	4.1	3.1	3.6	4		2.8	3.3			3.1	128
134				3.2	3.7	3.8		3.1	3.4			2.6				134
140				2.7	3.1	3.4		2.5	2.8							140
146					2.6	2.8										146

TAB 1580355 / 1580365 / 1580375

Lifting capacities on the hydraulically or mechanically variable boom extension

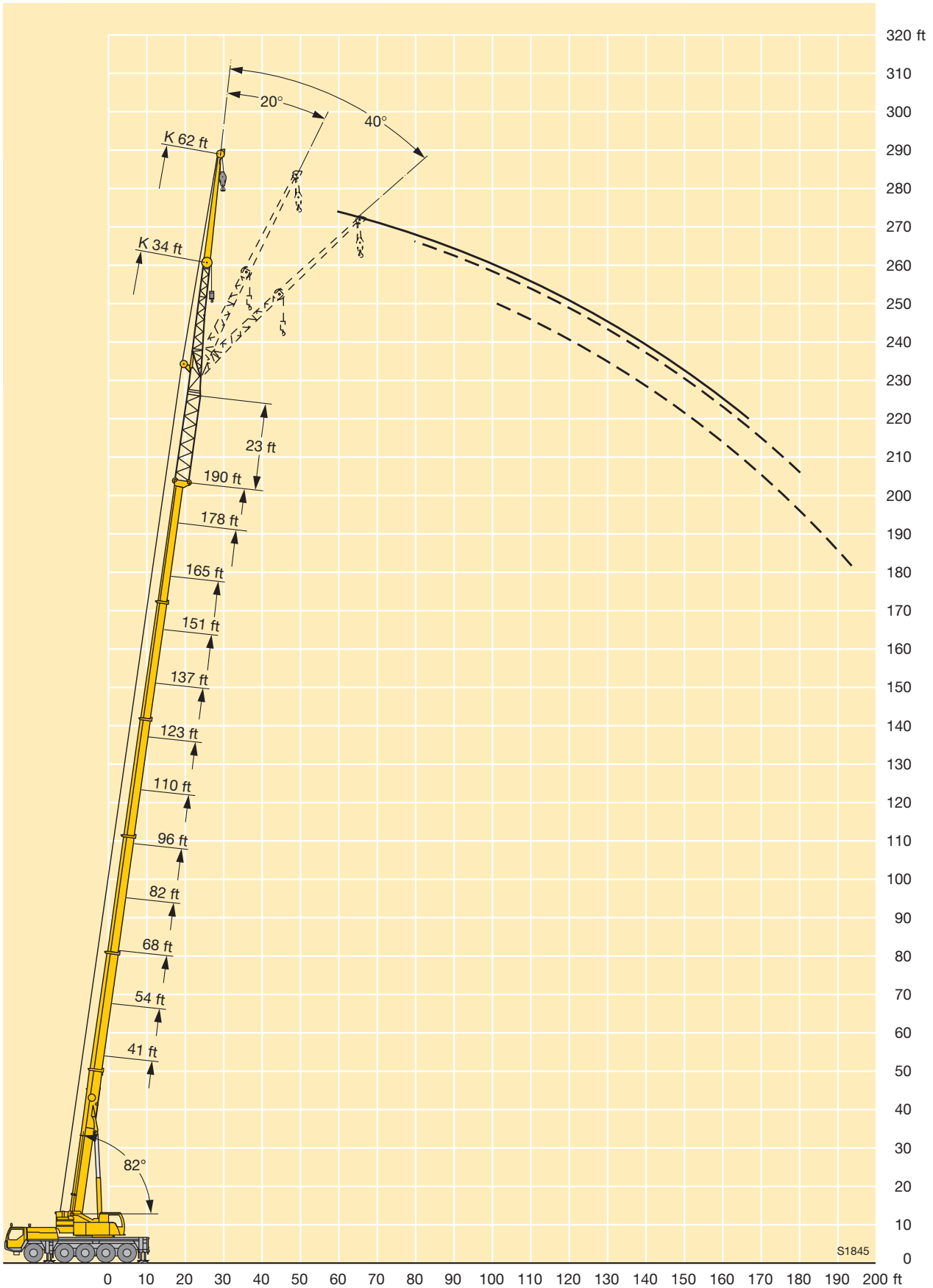
Forces de levage à la fléchette pliante à variation hydraulique ou mécanique avec télescope rallongé



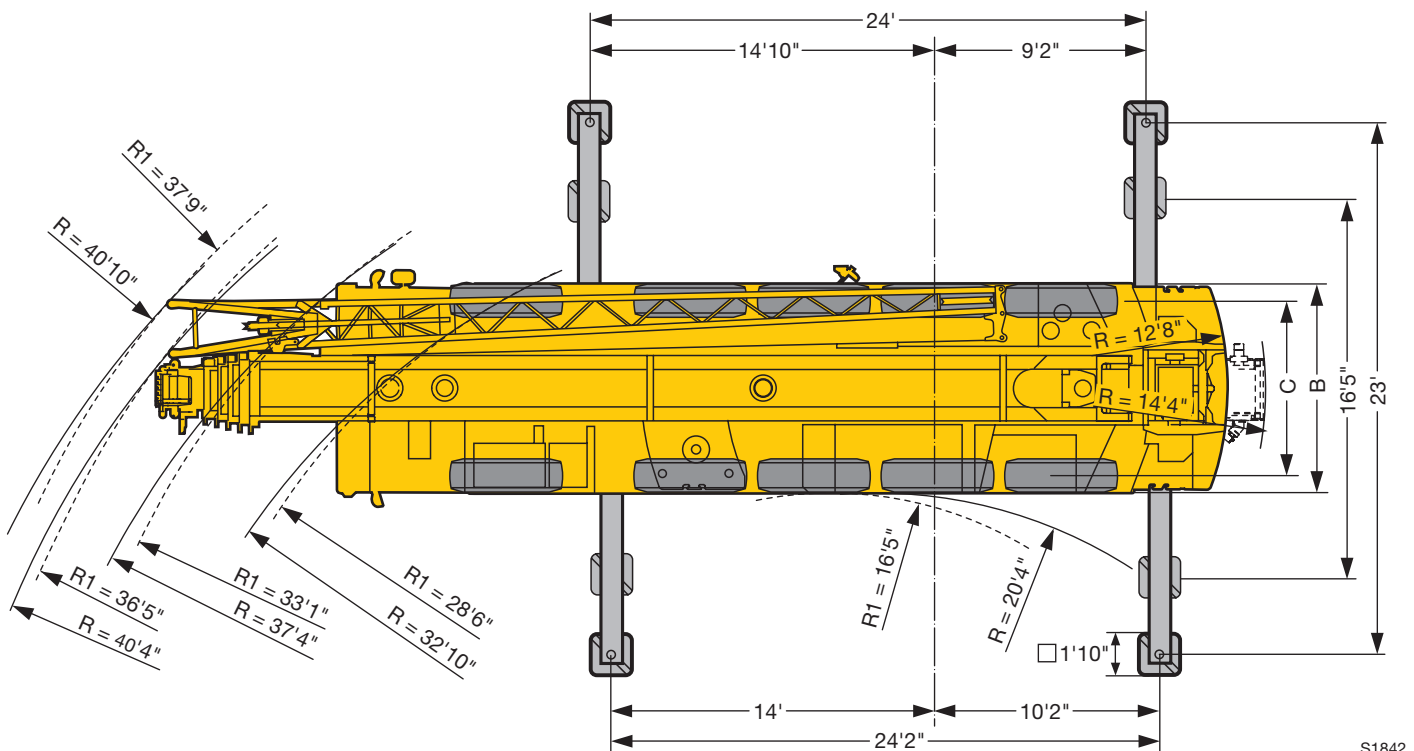
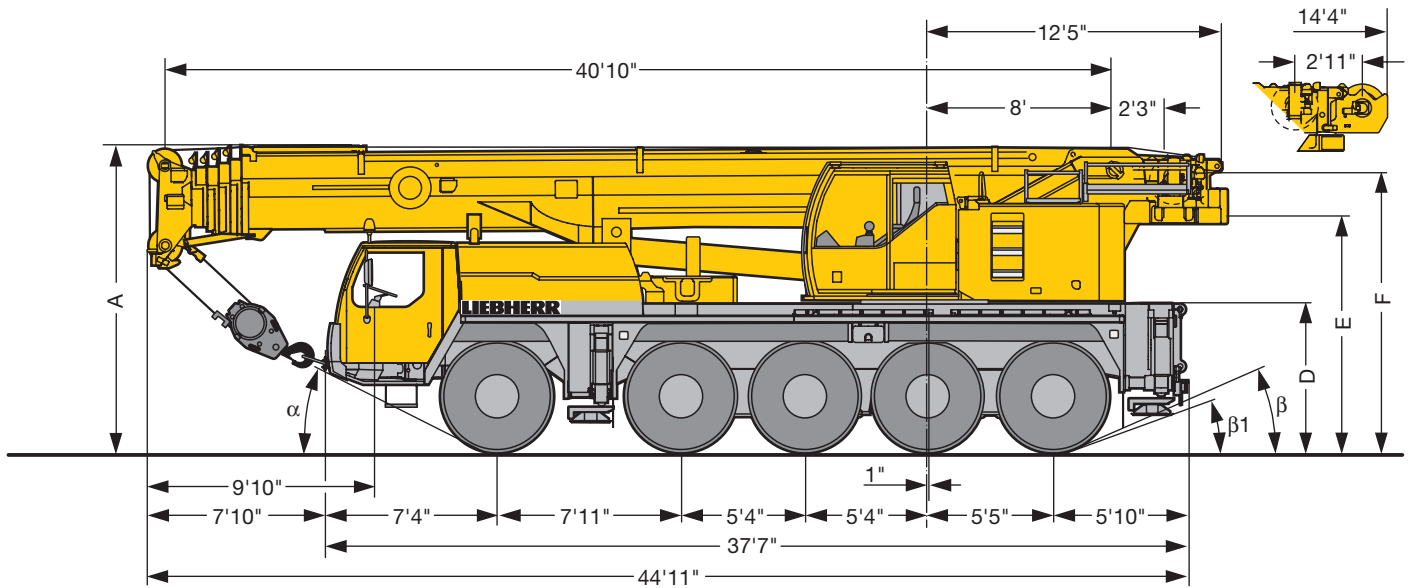
ft	41 ft + 23 ft			151 ft + 23 ft			165 ft + 23 ft			178 ft + 23 ft			188 ft + 23 ft			ft
	62 ft			62 ft			62 ft			62 ft			62 ft			
	0°	20°	40°	0°	20°	40°	0°	20°	40°	0°	20°	40°	0°	20°	40°	
14	5.1															14
16	5.1															16
18	5.1															18
20	5.1															20
23	5.1															23
26	5.1															26
29	5.1															29
32	5															32
35	4.9	4.6														35
38	4.8	4.6														38
44	4.6	4.6		5.1												44
50	4.2	4.4	4.1	5.1			4.4			3.9						50
56	3.8	4.2	4.1	5.1			4.4			3.9			2.9			56
62	3.5	3.9	4	5.1	4.6		4.4			3.9			2.9			62
68	3.3	3.5	3.8	5.1	4.6		4.4	4.4		3.9			2.9			68
74	3.1	3.2	3.5	5	4.6		4.4	4.4		3.9	3.9		2.9	2.9		74
80	2.9	2.9	3.2	4.8	4.6	4.1	4.4	4.4	4.1	3.9	3.9		2.9	2.9		80
86	2.6	2.7	2.9	4.7	4.4	4.1	4.4	4.3	4.1	3.9	3.9	3.6	2.9	2.9		86
92	2.4	2.4	2.6	4.5	4.3	4.1	4.4	4.1	4.1	3.9	3.9	3.6	2.9	2.9		92
98	2.2	2.1	2.3	4.3	4.1	4.1	4.2	4	4	3.9	3.9	3.6	2.9	2.9	2.9	98
104	2	1.8	1.9	4.1	4	3.9	4.1	3.9	3.9	3.8	3.8	3.6	2.8	2.9	2.9	104
110	1.8	1.7	1.7	3.9	3.8	3.8	3.9	3.8	3.7	3.7	3.6	3.6	2.7	2.9	2.9	110
116	1.5			3.7	3.7	3.7	3.7	3.6	3.6	3.6	3.6	3.5	2.7	2.9	2.9	116
122				3.5	3.5	3.5	3.6	3.5	3.5	3.1	3.4	3.4	2.7	2.9	2.9	122
128				3.3	3.3	3.3	3.3	3.4	3.4		3.3	3.3		2.8	2.9	128
134				3.2	3.2	3.2	2.8	3.2	3.2		3	3.2		2.7	2.9	134
140				2.9	3	3.1		3	3.1		2.5	3			2.8	140
146				2.5	2.9	2.9		2.7	3			2.7			2.6	146
152					2.7	2.8			2.8							152
158					2.3	2.7										158
164					1.9	2.3										164
170						1.9										170

TAB 1580355 / 1580365 / 1580375

Lifting heights
Hauteurs de levage



**Dimensions
Encombrement**



S1842

R₁ = All-wheel steering · Direction toutes roues

		Dimensions · Encombrement										
		A	A	B	C	D	E	F	α	β	β ₁	
			0'6" *									
16.00	R 25	13'1"	12'10"	9'	7'7"	6'4"	10'1"	12'3"	20°	20°	17°	
20.5	R 25	13'1"	12'10"	9'9"	8'	6'4"	10'1"	12'3"	20°	20°	17°	

* lowered · abaissé