

CRANE M/N#: HIAB 600E-9

10' 5" 15' 1" 20' 25' 11" 32' 1" 38' 8" 45' 7" 52' 9" 60' 67' 3" 74' 1" (Ft)
 3.2 4.6 6.1 7.9 9.8 11.8 13.9 16.1 18.3 20.5 22.6 (m)

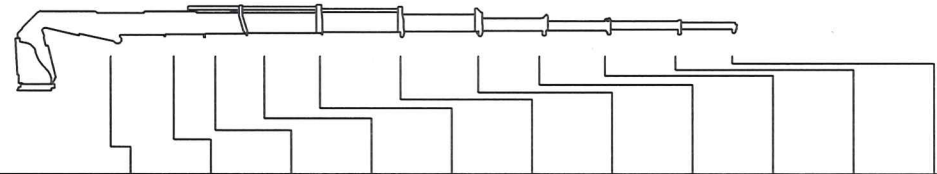


CHART 1 (Kg)	15500*	11000	7900	5700	4300	3400	2700	2300	1940	1700	1540
CHART 1 (lb)	34170*	24250	17415	12565	9480	7495	5950	5070	4275	3750	3395

* SPECIAL HOOK IN INNER HOOK ATTACHMENT

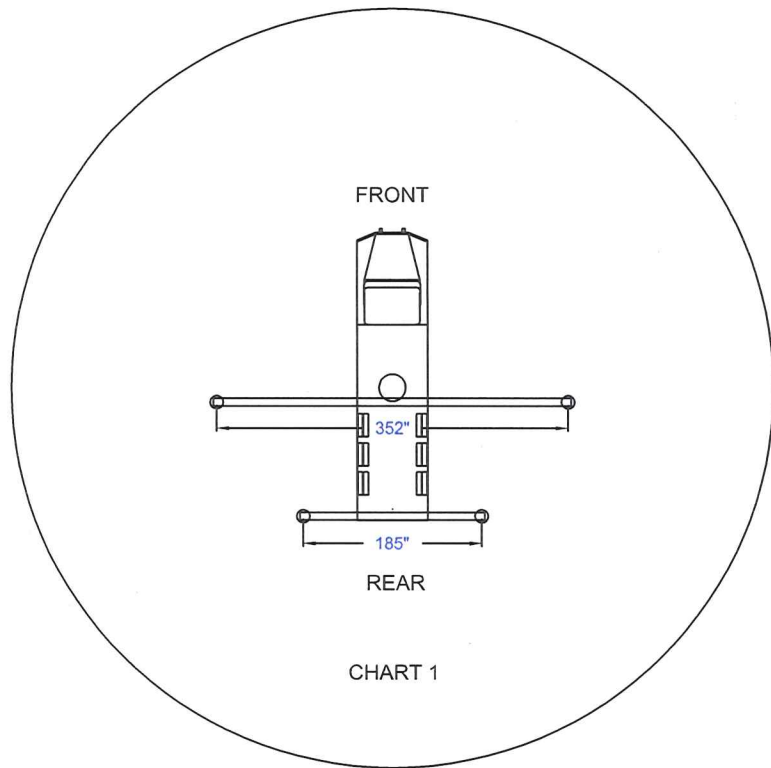
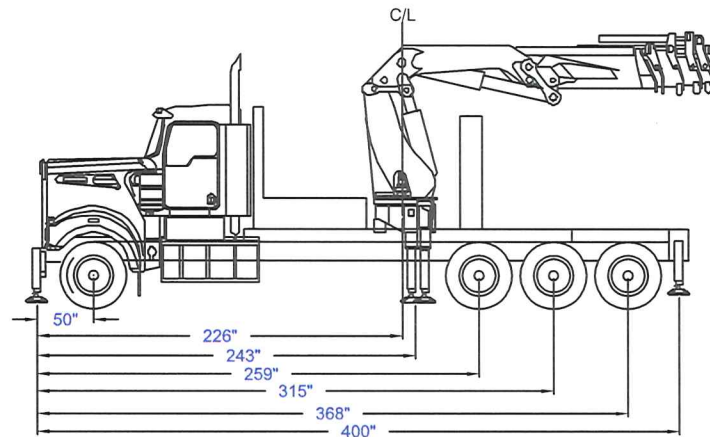


CHART 1

360°
RANGE OF MOTION
PLAN VIEW

CHART 1 IS BASED ON STRUCTURE
 THIS CHART IS BASED ON SAE J765 OCT 1980
 & USES THE FOLLOWING CODES AS A GUIDE
 ASME B30.22-2000

TEST IS PERFORMED WHILE FRONT AND
 REAR OUTRIGGERS EXTENDED AS SHOW

1. The charts listed are for use with the crane and truck combinations listed and are serial number specific. They are not to be used for any other cranes or trucks.
2. These charts are to indicate safe stability configurations only. All other safe operations procedures from the crane manufacture must be followed. The crane must only be operated by properly trained and qualified personnel. We are not liable for unsafe operations.
3. The structural integrity of the crane mount support structure is not included in this engineering certificate and is the responsibility of the installer.



Kova Engineering Ltd.



PROJECT: 360° LOAD CHART WITH OUTRIGGERS AT FULL EXTENSION

CRANE: M/N: HIAB 600E-9 S/N: 6000202

TRUCK: KENWORTH T800 SINGLE TRIDEM VIN:1XXDP40X58R937231 U/N:136

TEST DATE :MARCH 05/2008

CLIENT: GWIL CRANE SERVICE, KELOWNA, B.C.

ENGINEER: G.KOVACIK | CHK'D BY: R.STEWART | DRAWN BY: M.HODGSON

SCALE: NTS

PAGE NO.: 1 OF

DWG. NO.: V9010

