

WEIGHT REDUCTIONS FOR LOAD HANDLING DEVICES

26 FT. OFFSETTABLE BOOM EXTENSION	
*Erected -	2,960 lbs.
26 FT. - 45 FT. TELE. BOOM EXTENSION	
*Erected (Retracted) -	4,220 lbs.
*Erected (Extended) -	5,780 lbs.

*Reduction of main boom capacities

AUXILIARY BOOM NOSE	142 lbs.
HOOKBLOCKS and HEADACHE BALLS:	
30 Ton, 3 Sheave	580 lbs.+
15 Ton, 2 Sheave	425 lbs.+
7.5 Ton Overhaul Ball (top swivel)	354 lbs.+
7.5 Ton Headache Ball	338 lbs.+

+Refer to rating plate for actual weight.

When lifting over swingaway and/or jib combinations, deduct total weight of all load handling devices reeved over main boom nose directly from swingaway or jib capacity.

NOTE: All load handling devices and boom attachments are considered part of the load and suitable allowances MUST BE MADE for their combined weights. Weights are for Grove furnished equipment.

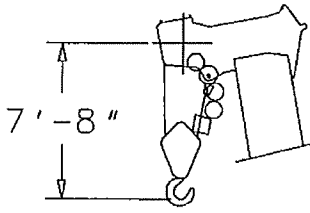
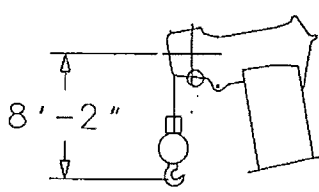
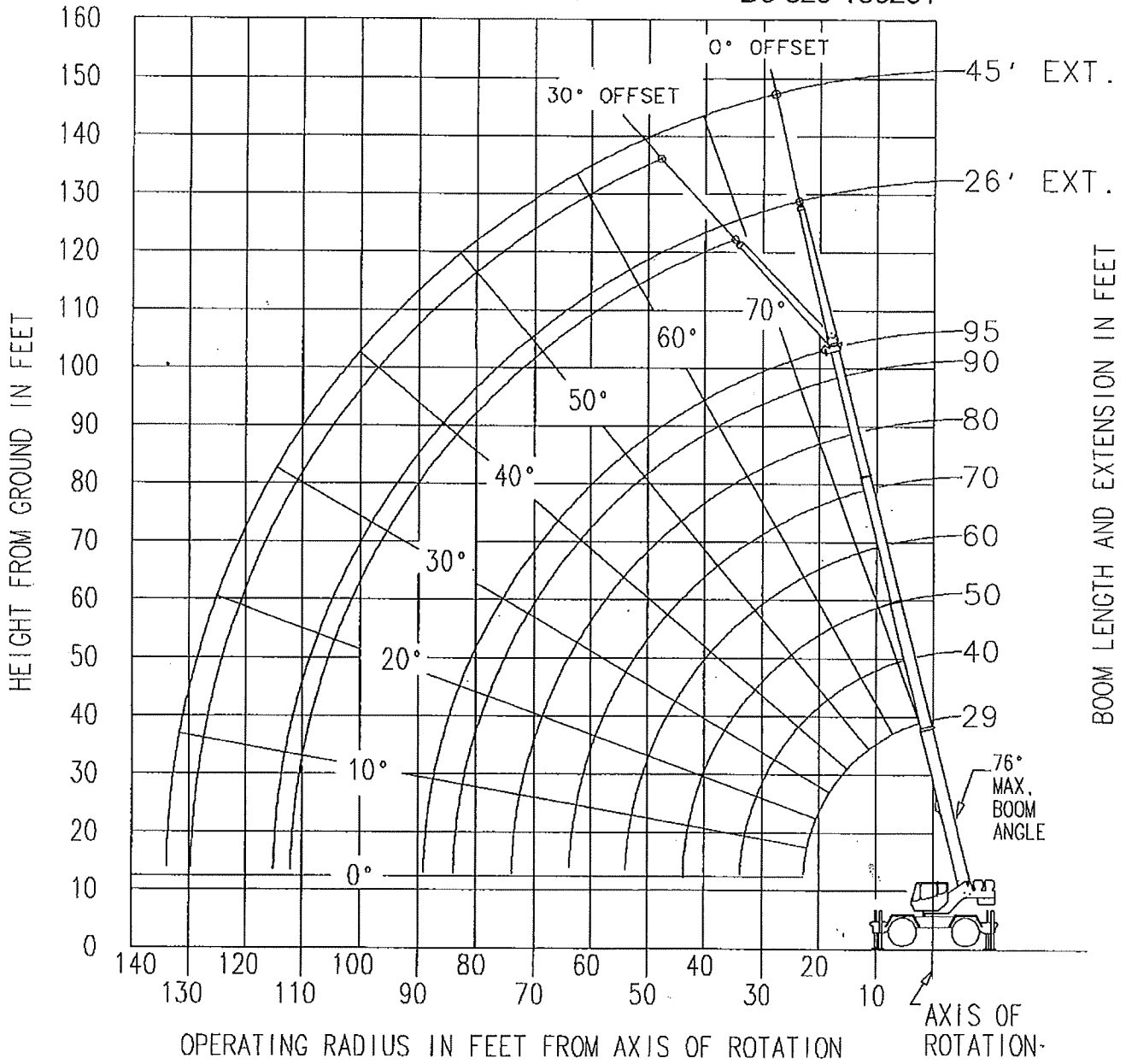
LINE PULLS AND REEVING INFORMATION

HOISTS	CABLE SPECS.	PERMISSIBLE LINE PULLS	NOMINAL CABLE LENGTH
Main & Aux.	5/8" (16 mm) 18x19 Class or 35x7 Rotation Resistant Min. Breaking Str. 45,400 lb.	9,080 lb.	450 ft.
Main	5/8" (16 mm) 6x37 Class, EIPS, WRC Special Flexible Min. Breaking Str. 41,200 lb.	11,640 lb.	450 ft.

WORKING RANGE DIAGRAM

(BOOM DEFLECTION NOT SHOWN)

D6-829-100201



DIMENSIONS ARE FOR LARGEST GROVE FURNISHED HOOK BLOCK AND HEADACHE BALL, WITH ANTI-TWO BLOCK ACTIVATED.

**RATED LIFTING CAPACITIES IN POUNDS
29 FT. - 95 FT. BOOM
ON OUTRIGGERS FULLY EXTENDED - 360°**

Radius in Feet	#0001							
	Main Boom Length in Feet							
	29	40	50	60	70	80	90	95
10	60,000 (60.5)	48,000 (69.5)	45,000 (74.5)					
12	54,650 (56)	48,000 (66.5)	44,950 (72)	*37,000 (76)				
15	42,850 (47.5)	43,800 (61.5)	40,000 (68)	36,000 (72)	*27,400 (76)	*21,000 (76)		
20	30,700 (30)	31,650 (53)	32,100 (61.5)	29,500 (67)	27,400 (71)	21,000 (73.5)	*17,000 (76)	*15,500 (76)
25		24,050 (42.5)	24,500 (54.5)	24,000 (61.5)	23,100 (66.5)	19,000 (70)	16,500 (72.5)	15,300 (74)
30		18,800 (29)	19,250 (47)	19,550 (56)	19,600 (61.5)	15,900 (66)	14,100 (69)	13,100 (70.5)
35	See Note 16		15,550 (38)	15,850 (49.5)	16,000 (56.5)	13,800 (61.5)	12,700 (65.5)	11,400 (67.5)
40			12,800 (26)	12,950 (42.5)	12,700 (51.5)	12,000 (57.5)	10,700 (62)	10,000 (64)
45				10,450 (34.5)	10,300 (46)	10,400 (53)	9,300 (58.5)	8,800 (60.5)
50				8,610 (23.5)	8,500 (39.5)	8,600 (48)	8,100 (54.5)	7,900 (57)
55					7,170 (32)	7,200 (43)	7,100 (50)	7,100 (53)
60					6,000 (22)	6,030 (37)	6,100 (45.5)	6,100 (49)
65						5,080 (30)	5,100 (40.5)	5,100 (44.5)
70						4,270 (20.5)	4,300 (35)	4,300 (40)
75							3,650 (28.5)	3,700 (34.5)
80							3,100 (20)	3,100 (28)
85								2,600 (20)
Minimum boom angle (°) for indicated length (no load)								0
Maximum boom length (ft.) at 0° boom angle (no load)								95

NOTE: () Boom angles are in degrees.
#LMI operating code. Refer to LMI manual for operating instructions.
*This capacity is based on maximum boom angle.

Lifting Capacities at Zero Degree Boom Angle On Outriggers Fully Extended - 360°								
Boom Angle	Main Boom Length in Feet							
	29	40	50	60	70	80	90	95.2
0 deg.	24,200 (22.8)	15,800 (33.8)	11,000 (43.8)	7,430 (53.8)	4,800 (63.8)	3,400 (73.8)	2,400 (83.8)	2,100 (89)

NOTE: () Reference radii in feet. A6-829-100269A

**26 FT. - 45 FT. TELE OFFSETTABLE BOOM EXTENSION
ON OUTRIGGERS FULLY EXTENDED - 360°**

Radius in Feet	**26 ft. LENGTH		45 ft. LENGTH	
	#0021	#0023	#0041	#0043
	0° OFFSET	30° OFFSET	0° OFFSET	30° OFFSET
30	*8,200 (76)			
35	8,200 (73.5)		*5,250 (76)	
40	8,200 (71)	*5,780 (76)	5,250 (75)	
45	8,120 (68.5)	5,780 (73.5)	4,940 (73)	
50	7,350 (66)	5,360 (71)	4,540 (71)	
55	6,370 (63)	4,750 (68)	4,150 (68.5)	*2,730 (76)
60	5,670 (60.5)	4,290 (65)	3,890 (66)	2,730 (74.5)
65	4,820 (57.5)	3,870 (62)	3,740 (64)	2,730 (72)
70	4,200 (54.5)	3,530 (59)	3,600 (61.5)	2,580 (69.5)
75	3,680 (51.5)	3,230 (56)	3,470 (59)	2,520 (67)
80	3,080 (48.5)	3,000 (52.5)	3,240 (56.5)	2,460 (64)
85	2,520 (45)	2,780 (49)	3,050 (54)	2,420 (61.5)
90	2,050 (41)	2,410 (45)	2,820 (51)	2,390 (58.5)
95	1,670 (37)	1,970 (40.5)	2,480 (48.5)	2,370 (55.5)
100	1,370 (32.5)	1,580 (35.5)	2,090 (45.5)	2,310 (52)
105	1,020 (27.5)		1,740 (42)	2,000 (49)
110			1,430 (38.5)	1,580 (45)
115			1,150 (35)	1,260 (40.5)
120			900 (30.5)	
Min. boom angle for indicated length (no load)	24°	30°	30°	30°
Max. boom length at 0° boom angle (no load)	80 ft.		80 ft.	

BOOM EXTENSION CAPACITY NOTES:

1. All capacities above the bold line are based on structural strength of boom extension.
2. 26 ft. and 45 ft. boom extension lengths may be used for single line lifting service.
3. Radii listed are for a fully extended boom with the boom extension erected. For main boom lengths less than fully extended, the rated loads are determined by boom angle. Use only the column which corresponds to the boom extension length and offset for which the machine is configured. For boom angles not shown, use the rating of the next lower boom angle.

WARNING: Operation of this machine with heavier loads than the capacities listed is strictly prohibited. Machine tipping with boom extension occurs rapidly and without advance warning.
4. Boom angle is the angle above or below horizontal of the longitudinal axis of the boom base section after lifting rated load.
5. Capacities listed are with outriggers fully extended and vertical jacks set only.

NOTE: () Boom angles are in degrees. A6-829-100272A
 #LMI operating code. Refer to LMI manual for instructions.
 *This capacity based on maximum boom angle.
 **26 ft. capacities are also applicable to fixed offsettable ext. However, the LMI codes will change to #0051 and #0053 for 0° and 30° offset, respectively.

ON RUBBER CAPACITIES WITH 20.5 x 25 TIRES

STATIONARY CAPACITIES
360°

Radius in Feet	#9005			
	Main Boom Length in Feet			
	29	40	50	60
10	25,550 (60.5)	25,550 (70)	*16,450 (76)	
12	20,600 (56)	20,600 (66.5)	16,450 (72)	
15	14,350 (47.5)	14,350 (62)	14,350 (68)	14,350 (72.5)
20	8,280 (30)	8,280 (53)	8,280 (61.5)	8,280 (67)
25		5,330 (42.5)	5,330 (54.5)	5,330 (61.5)
30		3,630 (29)	3,630 (47)	3,630 (56)
35			2,500 (38)	2,500 (49.5)
40			1,690 (26)	1,690 (42.5)
45				1,090 (34.5)
Min. boom angle for indicated length (no load)				34°
Max. boom length at 0° boom angle (no load)				50 ft.

NOTE: () Boom angles are in degrees.
#LMI operating code. Refer to LMI manual for instructions.
*This capacity is based upon maximum boom angle.

Lifting Capacity at Zero Degree On Rubber - 360°				
Boom Angle	Main Boom Length in Feet			
	29	40	50	60
0°	6,110 (22.8)	2,730 (33.8)	1,210 (43.8)	

NOTE: Reference radii in feet. A6-829-100274B

STATIONARY CAPACITIES
DEFINED ARC OVER FRONT (See Note 3)

Radius in Feet	#9005			
	Main Boom Length in Feet			
	29	40	50	60
10	30,100 (60.5)	26,550 (70)	16,450 (74.5)	
12	26,550 (56)	22,100 (66.5)	16,450 (72)	
15	22,100 (47.5)	22,100 (62)	16,450 (68)	16,450 (72.5)
20	16,050 (30)	16,050 (53)	16,050 (61.5)	16,050 (67)
25		11,005 (42.5)	11,005 (54.5)	11,005 (61.5)
30		8,060 (29)	8,060 (47)	8,060 (56)
35			6,110 (38)	6,110 (49.5)
40			4,720 (26)	4,720 (42.5)
45				3,680 (34.5)
50				2,870 (23.5)
Min. boom angle for indicated length (no load)				0°
Max. boom length at 0° boom angle (no load)				60 ft.

NOTE: () Boom angles are in degrees.
#LMI operating code. Refer to LMI manual for instructions.

Lifting Capacity at Zero Degree On Rubber Stationary- Defined Arc Boom Centered Over Front				
Boom Angle	Main Boom Length in Feet			
	29	40	50	60
0°	12,700 (22.8)	6,500 (33.8)	3,890 (43.8)	2,360 (53.8)

NOTE: Reference radii in feet. A6-829-100275A

ON RUBBER CAPACITIES WITH 20.5 x 25 TIRES (cont'd.)

PICK & CARRY CAPACITIES (UP TO 2.5 MPH) -
BOOM CENTERED OVER FRONT (See note 7)

Radius in Feet	#9006			
	Main Boom Length in Feet			
	29	40	50	60
10	25,900 (60.5)	25,900 (70)	18,250 (74.5)	
12	22,350 (56)	22,350 (66.5)	18,250 (72)	
15	18,250 (47.5)	18,250 (62)	18,250 (68)	13,350 (72.5)
20	13,350 (30)	13,350 (53)	13,350 (61.5)	13,350 (67)
25		10,350 (42.5)	10,350 (54.5)	10,350 (61.5)
30		8,060 (29)	8,060 (47)	8,060 (56)
35			4,810 (38)	4,810 (49.5)
40			3,770 (26)	3,770 (42.5)
45				2,930 (34.5)
50				2,240 (23.5)
Min. boom angle for indicated length (no load)				0°
Max. boom length at 0° boom angle (no load)				60 ft.

NOTE: () Boom angles are in degrees.
#LMI operating code. Refer to LMI manual for instructions.

Lifting Capacity at Zero Degree On Rubber Pick & Carry - Boom Centered Over Front				
Boom Angle	Main Boom Length in Feet			
	29	40	50	60
0°	11,400 (22.8)	5,090 (33.8)	3,110 (43.8)	1,800 (53.8)

NOTE: Reference radii in feet. A6-829-100276A

NOTES TO ALL RUBBER CAPACITY CHARTS:

1. Capacities are in pounds and do not exceed 75% of tipping loads as determined by test in accordance with SAE J765.
2. Capacities are applicable to machines equipped with 20.5x25 (24 ply) bias ply tires, at 75 psi cold inflation pressure.
3. Defined Arc - Over front includes 6° on either side of longitudinal centerline of machine (ref. drawing C6-829-003529).
4. Capacities appearing above the bold line are based on structural strength and tipping should not be relied upon as a capacity limitation.
5. Capacities are applicable only with machine on firm level surface.
6. On rubber lifting with boom extensions not permitted.
7. For pick and carry operation, boom must be centered over front of machine, mechanical swing lock engaged and load restrained from swinging. When handling loads in the structural range with capacities close to maximum ratings, travel should be reduced to creep speeds.
8. Axle lockouts must be functioning when lifting on rubber.
9. All lifting depends on proper tire inflation, capacity and condition. Capacities must be reduced for lower tire inflation pressures. See lifting capacity chart for tire used. Damaged tires are hazardous to safe operation of crane.
10. Creep - not over 200 ft. of movement in any 30 minute period and not exceeding 1 mph.

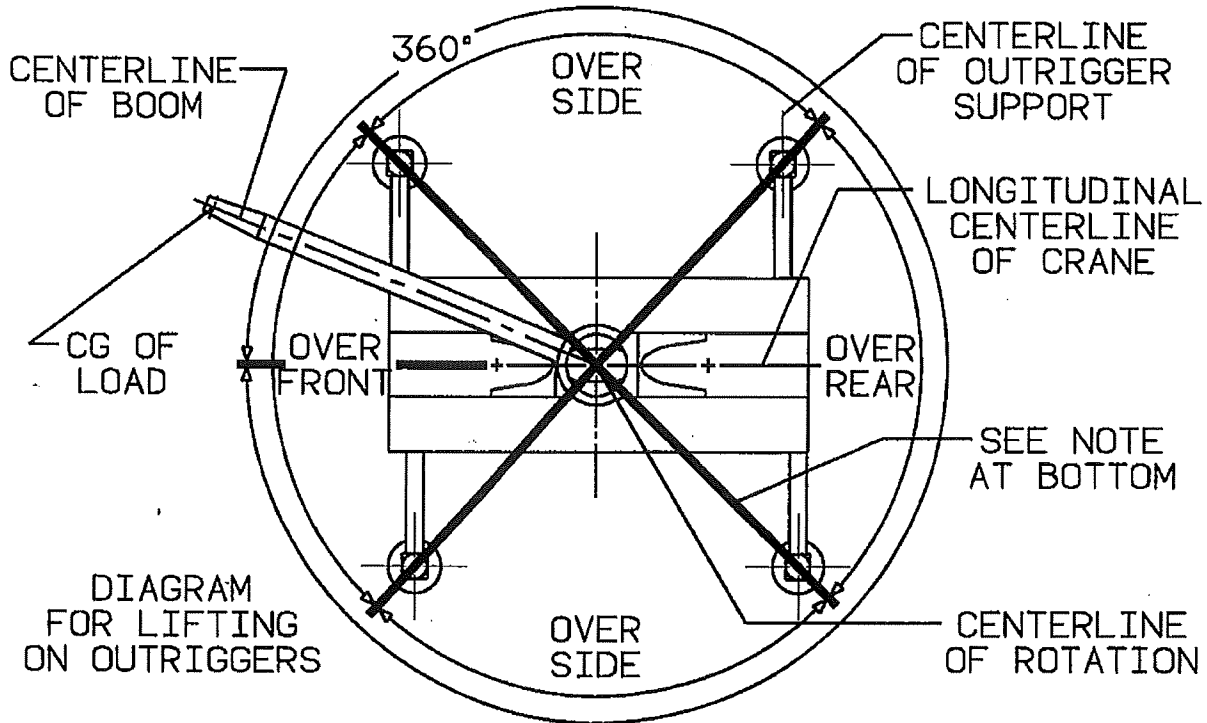


DIAGRAM FOR LIFTING ON OUTRIGGERS

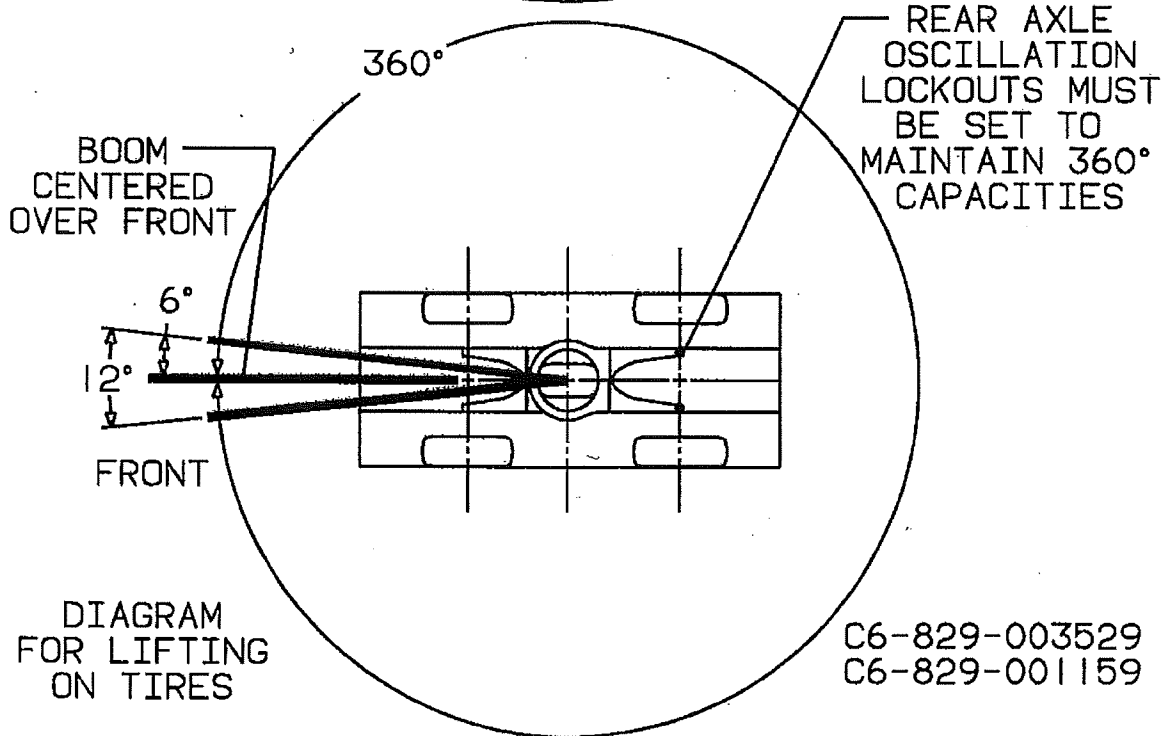


DIAGRAM FOR LIFTING ON TIRES

C6-829-003529
C6-829-001159

BOLD LINES DETERMINE THE LIMITING POSITION OF ANY LOAD FOR OPERATION WITHIN WORKING AREAS INDICATED

WORKING AREA DIAGRAM